

CR2

Circular fire damper for large diameters

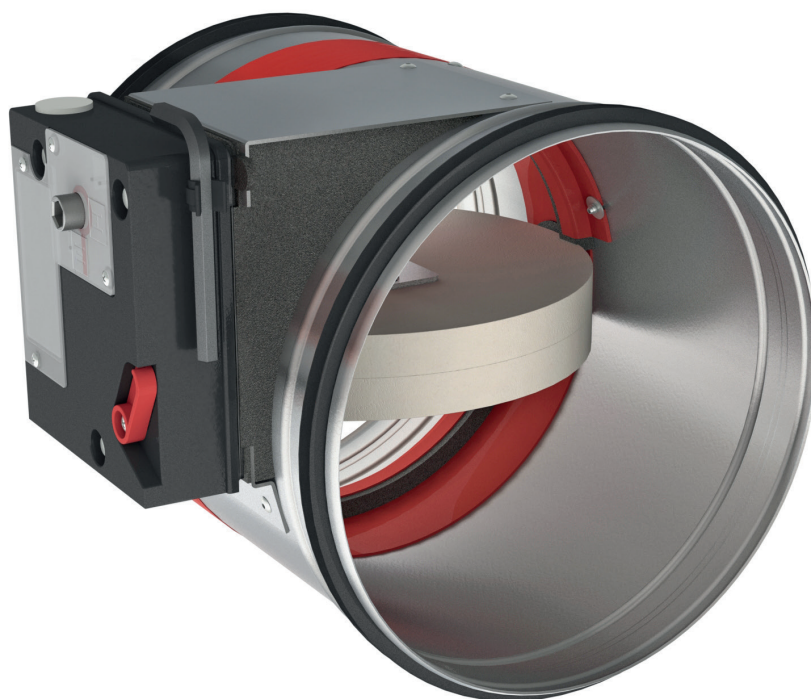







Table of content

Declaration of performance	4
Product presentation CR2	5
Range and dimensions CR2	5
Variant CR2-L500	6
Range and dimensions CR2-L500	6
Evolution - kits	7
Options - at the time of order	10
Storage and handling	11
Installation	11
Installation at a minimal distance from another damper or from an adjacent supporting construction	12
Installation in rigid wall	14
Installation in rigid floor (125 mm)	16
Installation in rigid floor (150 mm)	17
Installation in flexible wall (metal stud gypsum plasterboard wall)	19
Installation in flexible wall (metal stud gypsum plasterboard wall), sealing with gypsum	21
Installation in flexible wall (metal stud gypsum plasterboard wall), sealing with mortar	23
Installation in gypsum block wall	25
Installation in flexible and rigid wall, sealing with rigid rock wool boards with coating	27
Installation in rigid floor, sealing with rigid rock wool boards with coating	30
Inspection of the damper	32
Operation and mechanisms	33
Electrical connection	38
Weights	40
Selection data	41
Example	41
Sample order	42
Approvals and certificates	43

Explanation of the abbreviations and pictograms

<p>Wn = nominal width Hn = nominal height Dn = nominal diameter E = integrity I = thermal insulation S = smoke leakage Pa = pascal ve = vertical wall penetration ho = horizontal floor penetration o -> i = meets the criteria from the outside (o) to the inside (i) i <-> o = fire side not important V AC = Volt alternating current V DC = Volt direct current</p>	<p>E.TELE = power supply magnet E.ALIM = power supply motor V = volt W = watt Auto = automatic Tele = remote controlled Pnom = nominal capacity Pmax = maximum capacity GKB (type A) / GKF (type F): "GKB" stands for standard plasterboards (type A according to EN 520) while "GKF" plasterboards offer a higher fire resistance for a similar plate thickness (type F according to EN 520) Cal-Sil = calcium silicate OP = option (delivered with the product) KIT = kit (delivered separately for repair or upgrade) PG = connection flange to the duct</p>	<p>Sn = free air passage ζ [-] = pressure loss coefficient Q = airflow ΔP = static pressure drop v = air speed in the duct Lwa = A-weighted sound power level Lw oct = sound power level per octave midband dB(A) = A-weighted decibel value ΔL = correction factor</p>
--	---	--

	large dimensions		air tightness in accordance with EN 1751: class B (class C in option)
	suitable for built-in installation		minimal distance allowed
	sealing with fire resistant stone wool boards allowed, also for asymmetric opening		

DECLARATION OF PERFORMANCE

CE_DoP_Rf-t_C1_EN - J-01/07/2023

Range	Wall type	Wall	Sealing	Installation	Performance
Ø 200-630 mm	Rigid wall	Aerated concrete ≥ 100 mm	Mortar / Gypsum	1	EI 120 (V _e , i ↔ o) S - (500 Pa)
			Stone wool + coating ≥ 140 kg/m ³	1	EI 90 (V _e , i ↔ o) S - (300 Pa)
			Stone wool Mulcol Multimastic FB1 + coating	2	EI 60 (V _e , i ↔ o) S - (300 Pa)
			Stone wool Pyro-Safe® MFP + coating	2	EI 120 (V _e , i ↔ o) S - (300 Pa)
			Mortar	2	EI 90 (V _e , i ↔ o) S - (500 Pa)
			Mortar	3	EI 120 (V _e , i ↔ o) S - (300 Pa)
			Stone wool + coating ≥ 140 kg/m ³	3	EI 120 (V _e , i ↔ o) S - (300 Pa)
			Stone wool ≥ 40 kg/m ³ + cover plates	1	EI 60 (V _e , i ↔ o) S - (500 Pa)
			Gypsum	1	EI 60 (V _e , i ↔ o) S - (500 Pa)
			Stone wool + coating ≥ 140 kg/m ³	1	EI 90 (V _e , i ↔ o) S - (300 Pa)
Flexible wall	Metal studs: gypsum plasterboard Type A (EN 520) ≥ 100 mm	Metal studs: gypsum plasterboard Type F (EN 520) ≥ 100 mm	Gypsum	1	EI 120 (V _e , i ↔ o) S - (500 Pa)
			Stone wool ≥ 40 kg/m ³ + cover plates	1	EI 90 (V _e , i ↔ o) S - (300 Pa)
			Gypsum	1	EI 120 (V _e , i ↔ o) S - (500 Pa)
			Mortar	1	EI 90 (V _e , i ↔ o) S - (300 Pa)
			Stone wool Mulcol Multimastic FB1 + coating	2	EI 60 (V _e , i ↔ o) S - (300 Pa)
			Stone wool + coating ≥ 140 kg/m ³	1	EI 90 (V _e , i ↔ o) S - (300 Pa)
			Stone wool Pyro-Safe® MFP + coating	2	EI 120 (V _e , i ↔ o) S - (300 Pa)
			HiTi CFS-CT B 15	4	EI 120 (V _e , i ↔ o) S - (300 Pa)
			Blockglue	1	EI 120 (V _e , i ↔ o) S - (500 Pa)
			Ø 200-630 mm	Rigid wall	Aerated concrete ≥ 125 mm
Type of installation: built-in, 0-360°. Minimal distances authorised.					
	Ø 200-630 mm	Rigid wall	Aerated concrete ≥ 125 mm	Aerated concrete ≥ 150 mm	3
Type of installation: built-in, 0-360°. Minimal distances authorised.					



Signed for and on behalf of the manufacturer by:
Mathieu Steenland, Technical Manager

Mathieu Steenland

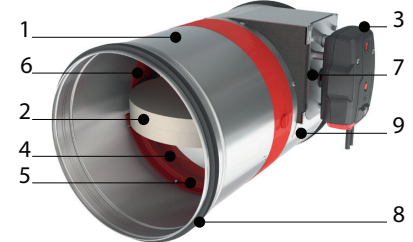
Oosterzele, 01/07/2023

Variant CR2-L500

Variant CR2-L500

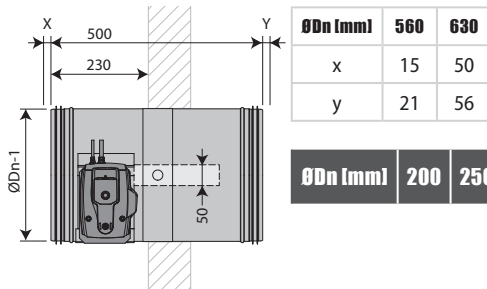
CR2 damper with a tunnel casing extension at the wall side to facilitate the connection to the duct when the supporting construction is thicker than 100 mm.

1. casing in galvanised steel
2. damper blade
3. operating mechanism
4. sealing cold smoke
5. blade bumper
6. intumescent strip
7. fusible link
8. rubber sealing ring
9. product identification



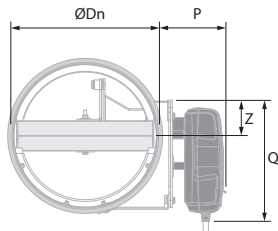
Range and dimensions CR2-L500

Exceeding blade: X = on the mechanism side, Y = on the wall side

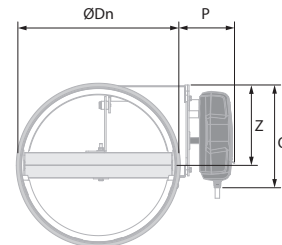


$\varnothing D_n$ (mm)	200	250	315	355	400	450	500	560	630
------------------------	-----	-----	-----	-----	-----	-----	-----	-----	-----

$\varnothing D_n < 315$ mm



$\varnothing D_n \geq 315$ mm



	CFTH	ONE (X)	BFL(T)		CFTH	ONE (X)	BFL(T)	BFN(T)
P	81	105	101	P	85	105	104	104
Q	182	199	110	Q	182	199	110	110
Z	58	60	80	Z	156	157	179	179

Evolution - kits

	KIT ONE T 24 FDCB	Spring return actuator ONE 24V (with fusible link T) + bipolar beginning- and end-of-range switch
	KIT ONE T 24 FDCU	Spring return actuator ONE 24V (with fusible link T) + unipolar beginning- and end-of-range switch
	KIT ONE T 24 FDCU ST	Spring return actuator ONE 24V (with fusible link T) + unipolar beginning- and end-of-range switch + plug (ST)
	KIT ONE T 230 FDCB	Spring return actuator ONE 230V (with fusible link T) + bipolar beginning- and end-of-range switch
	KIT ONE T 230 FDCU	Spring return actuator ONE 230V (with fusible link T) + unipolar beginning- and end-of-range switch
	KIT ONE T 230 FDCU ST	Spring return actuator ONE 230V (with fusible link T) + unipolar beginning- and end-of-range switch + plug (ST)
	KIT ONE-X 24	Spring return actuator ONE-X 24V (with fusible link T)
	KIT ONE-X 230	Spring return actuator ONE-X 230V (with fusible link T)
	KIT CFTH	Automatic unlocking mechanism CFTH with FCU and without FTH 72



KIT BFL24

Spring return actuator BFL 24V



KIT BFL24-ST

Spring return actuator BFL 24V with plug (ST)



KIT BFL230

Spring return actuator BFL 230V



KIT BFLT24

Spring return actuator BFL 24V with thermo-electric fuse (T)



KIT BFLT24-ST

Spring return actuator BFL 24V with thermo-electric fuse (T) and plug (ST)



KIT BFLT230

Spring return actuator BFL 230V with thermo-electric fuse (T)



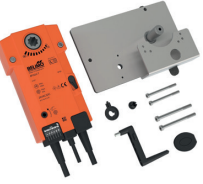
KIT BFLT230-ST

Spring return actuator BFL 230V with thermo-electric fuse (T)












KIT BFN24







Spring return actuator BFN 24V



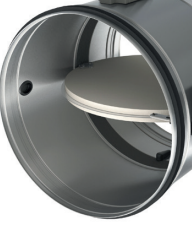

KIT BFN24-ST

Spring return actuator BFN 24V with plug (ST)

	KIT BFN24	Spring return actuator BFN 24V (BFN kits must be used instead of BFL kits for fire dampers produced before 1/7/2015)
	KIT BFN230	Spring return actuator BFN 230V
	KIT BFNT24	Spring return actuator BFN 24V with thermo-electric fuse (T)
	KIT BFNT24-ST	Spring return actuator BFN 24V with thermo-electric fuse (T) and plug (ST)
	KIT BFNT230	Spring return actuator BFN 230V with thermo-electric fuse (T)
	KIT BFNT230-ST	Spring return actuator BFN 230V with thermo-electric fuse (T)
	KIT BF24	Spring return actuator BF 24V (BF kits must be used instead of BFN kits for fire dampers produced before 1/7/2015)
	KIT FDC CFTH	1 limit switch (FCU/DCU/FCB/DCB)
	KIT SN2 BFL/BFN	Auxiliary limit switch 'open/closed'

	KIT FTH72	Fusible link FTH 72°C (for CFTH)
	KIT ZBAT 72	Black spare part for thermo-electric fuse for BFLT/BFNT
	FUS72 ONE	Fusible link 72°C
	MECT	Testbox for mechanisms 24/48 V (magnet, motor, beginning and end of range switches)
	EPP CR2	Kit with 4 cover plates (gypsum plasterboard 12.5 mm) for CR2 in light wall.
	INSPECAM	Sturdy digital endoscope for the internal inspection of fire dampers through an optional inspection opening. The endoscope features a 1 meter long probe with a diameter of 8,2 mm equipped with a dimmable LED, a removable 4x zoom, a colour LCD monitor 3.5". Photographic capture 3MP and video capture 720P.

Options - at the time of order

	UL	Inspection opening to visually determine the state and the position of the damper, by using an endoscope.
	EN1751_C	Air-tightness class C (note: for CU2 H > 600 or W > 800 / for CR2 Ø > 315).

Storage and handling

As this product is a safety element, it should be stored and handled with care.

Avoid:

- any kind of impact or damage
- contact with water
- deformation of the casing

It is recommended:

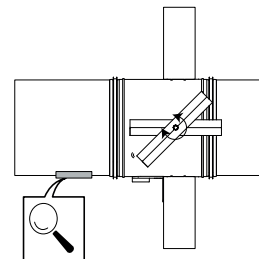
- to unload in a dry area
- not to flip or roll the product to move it
- not to use the damper as a scaffold, working table, etc.
- not to store smaller dampers inside larger ones

Installation

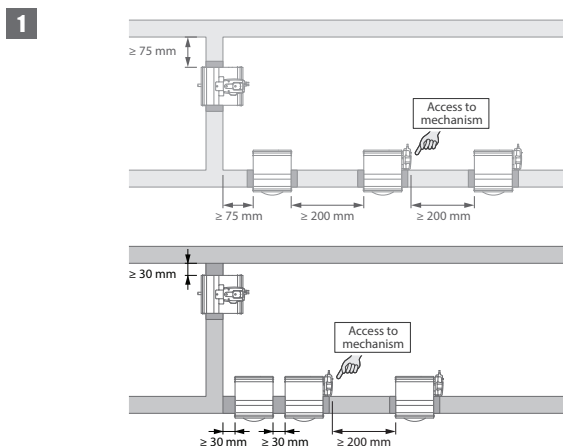
General points

- The installation must comply with the installation manual and the classification report.
- Axis orientation: see the declaration of performance.
- Avoid obstruction of adjoining ducts.
- Product installation: always with closed damper blade.
- Verify if the blade can move freely.
- Please observe safety distances with respect to other construction elements. The operating mechanism must also remain accessible: allow for a clearance of 200 mm around the housing.
- The air tightness class will be maintained if the damper is installed according to the installation manual.
- Rf-t fire dampers are always tested in standardised constructions according to EN 1366-2. The achieved results are valid for similar supporting constructions with a fire resistance, thickness and density equal or superior to the supporting construction used during the test.
- If the wall thickness exceeds the minimum thickness specified in our installation instructions, the following conditions apply to the sealing depth:
 - For flexible walls and sandwich panel system walls, the seal must always be applied over the full depth of the wall.
 - With rigid walls, rigid floors and plaster block walls, the minimum sealing depth as indicated in our installation instructions (often equal to the minimum wall thickness) is sufficient. Apply the seal at the height of the damper blade (from the wall limit indication).
- When installing a fire damper in a flexible metal stud wall, some installation methods do not require reinforcing profiles around the wall opening from a fire protection point of view (see below). Always follow the general instructions of the manufacturer of these wall systems when building this type of wall.
- The damper must remain accessible for inspection and maintenance.
- Schedule at least 2 visual checks each year.

	TEST	
2021	<input checked="" type="checkbox"/>	<input checked="" type="checkbox"/>
2022	<input checked="" type="checkbox"/>	<input type="checkbox"/>
2023	<input type="checkbox"/>	<input type="checkbox"/>
2024	<input type="checkbox"/>	<input type="checkbox"/>
2025	<input type="checkbox"/>	<input type="checkbox"/>



Installation at a minimal distance from another damper or from an adjacent supporting construction

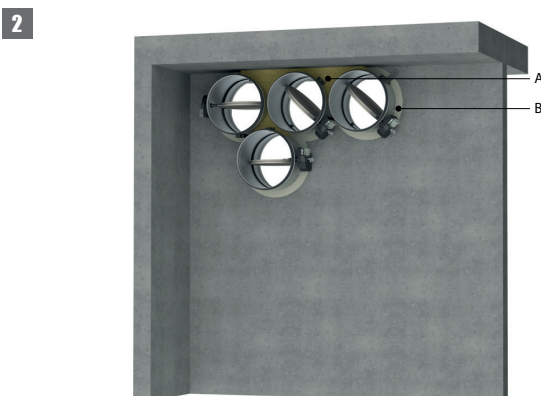


1. Principle

According to the European test standard, a fire damper must be installed at a minimum distance of 75 mm from an adjacent wall and 200 mm from another damper, unless the solution was tested at a shorter distance.

This range of Rf-t fire dampers has been successfully tested and can be installed in a vertical or horizontal supporting construction, at a distance below the minimum set by the standard.

For circular dampers, the minimal distance is set to 30 mm.



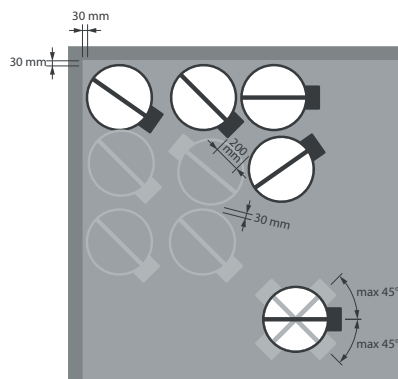
2. Certified solution

For the Rf-t fire dampers, the solution consists of the following elements: A: Universal sealing for minimal distance; B: Sealing compliant with existing classifications (Declaration of Performance).

A. Sealing of the opening at the side with minimal distances between damper and wall/ceiling or another fire damper: rigid stone wool panels (150 kg/m^3) are applied to a depth of min. 400 mm, of which 150 mm on the mechanism side of the wall. On the non-mechanism side of the wall, the stone wool panels must be at least flush with the wall. The surface of this sealing is set between the axes (centres) of the dampers.

B. Sealing of the rest of the opening according to the existing classifications for the fire damper (Declaration of Performance). This also applies to circular dampers that are mounted at a minimum distance from one another (30 to 200 mm) but at a distance greater than 75 mm from a wall/ceiling. Detailed information for each wall/sealing combination can be found in the respective installation methods.

3



3. Restrictions

The orientation of the blade axis should be horizontal or oriented at a maximum of 45°.

A maximum of 3 circular dampers can be installed at a minimum distance from one another, both vertically and horizontally (with a maximum cluster of 4 dampers).

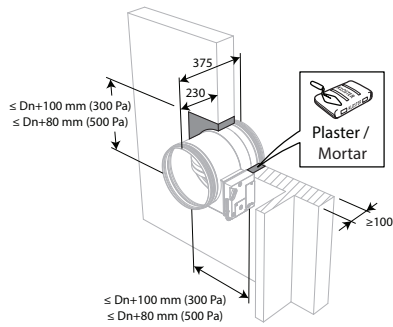
Note: when sealing the opening with panels of fire resistant stone wool, the maximum number of dampers also depends on the maximum "blank seal" allowed for the selected sealing material. Please refer to the manufacturer's instructions for this information.

Installation in rigid wall

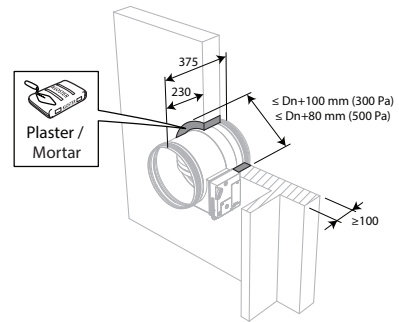
The product was tested and approved in:

Range	Wall type	Sealing	Classification
Ø 200-630 mm	Rigid wall	Aerated concrete ≥ 100 mm	Mortar / Gypsum
Ø 200-630 mm	Rigid wall	Aerated concrete ≥ 100 mm	Mortar / Gypsum

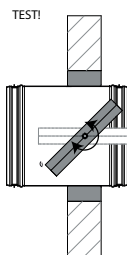
1



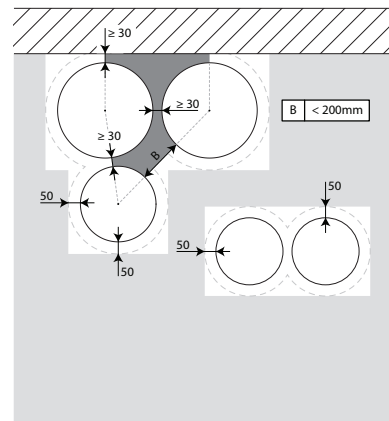
2



3

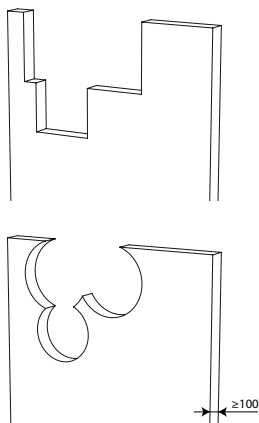


4



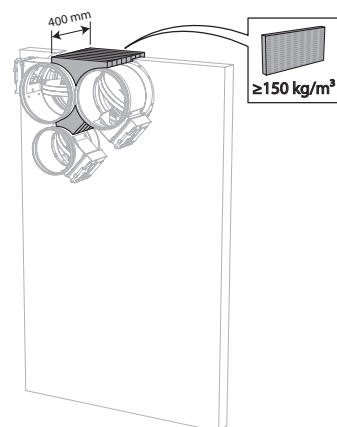
4. The dampers can be installed at a minimum distance (≥ 30 mm) from an adjacent wall or from another damper.

5



5. Make the necessary openings ($\leq D_n + 100$ mm) / ($\leq D_n + 80$ mm) in the wall.

6

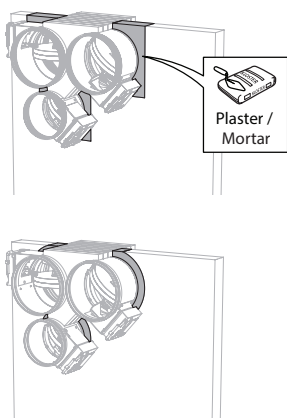


6. Mount the dampers in the opening.
Apply rigid stone wool panels (≥ 150 kg/m³) to a depth of 400 mm (150 mm on the mechanism side of the wall) to seal the opening at the side with minimal distances.
The surface of this sealing is set between the axes (centres) of the dampers.

Caution: the opening is sealed according to the existing classification (see next point) when:

- 2 fire dampers are installed at a minimum distance from one another but at a normal distance (≥ 75 mm) from the wall or floor/ceiling.
- One single (no cluster) fire damper is located at a minimum distance (≤ 75 mm) from a wall or floor/ceiling.

7



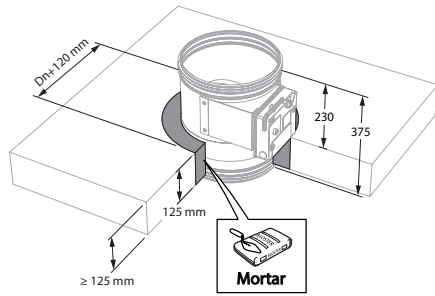
7. Seal the rest of the opening with standard mortar or gypsum.

Installation in rigid floor (125 mm)

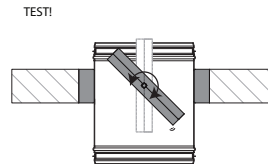
The product was tested and approved in:

Range	Wall type	Sealing	Classification
Ø 200-630 mm	Rigid floor	Aerated concrete ≥ 125 mm	Mortar
			El 90 (h ₀ i ↔ o) S - (500 Pa)

1



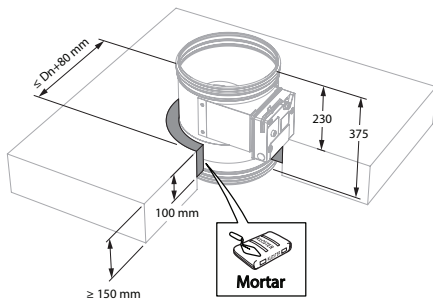
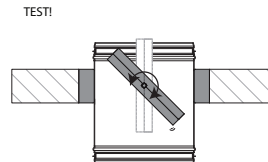
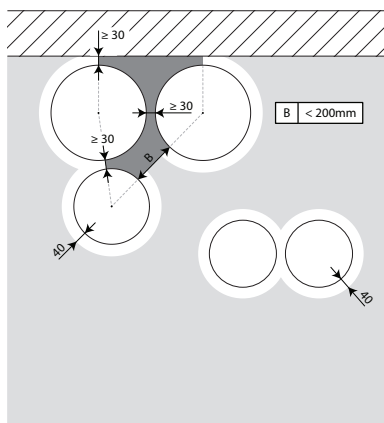
2



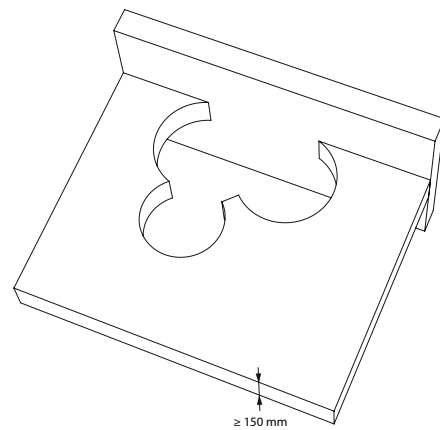
Installation in rigid floor (150 mm)

The product was tested and approved in:

Range	Wall type	Sealing	Classification
Ø 200-630 mm	Rigid floor	Aerated concrete ≥ 150 mm	Mortar
			El 120 (h_o , $i \leftrightarrow o$) S - (500 Pa)

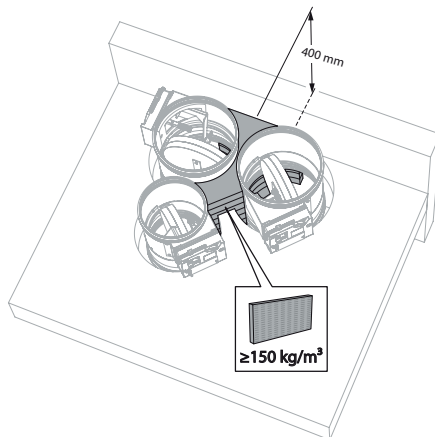
1

2

3


3. The dampers can be installed at a minimum distance (≥ 30 mm) from an adjacent wall or from another damper.

4


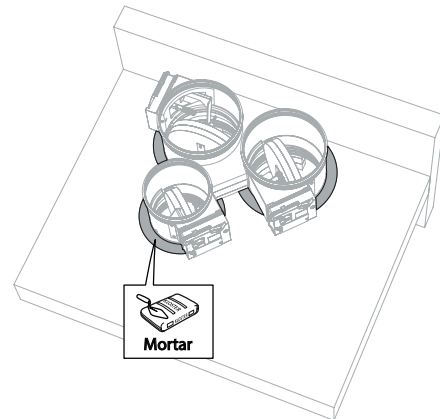
4. Make the necessary openings ($\leq Dn + 80$ mm) in the floor.

5



5. Mount the dampers in the opening.
Apply rigid stone wool panels ($\geq 150 \text{ kg/m}^3$) to a depth of 400 mm (150 mm on the mechanism side of the wall) to seal the opening at the side with minimal distances.
The surface of this sealing is set between the axes (centres) of the dampers.
- Caution: the opening is sealed according to the existing classification (see next point) when:
- 2 fire dampers are installed at a minimum distance from one another but at a normal distance ($\geq 75 \text{ mm}$) from the wall or floor/ceiling.
 - One single (no cluster) fire damper is located at a minimum distance ($\leq 75 \text{ mm}$) from a wall or floor/ceiling.

6

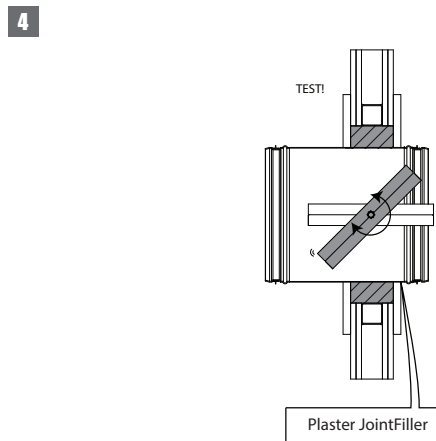
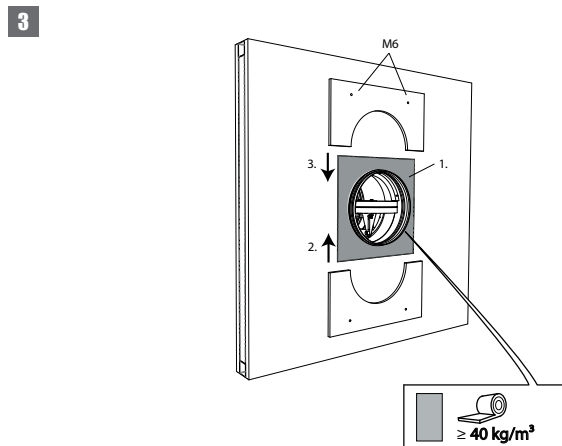
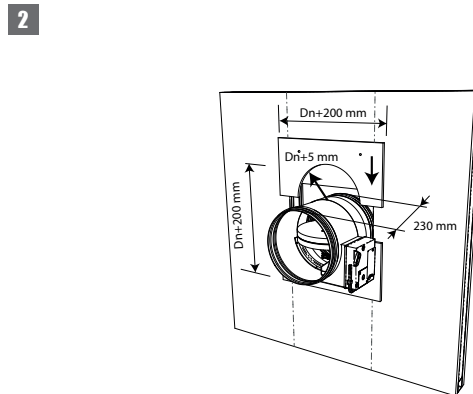
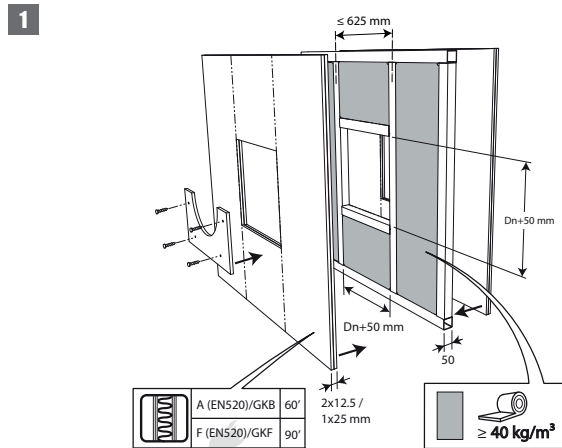


6. Seal the rest of the opening with standard mortar.

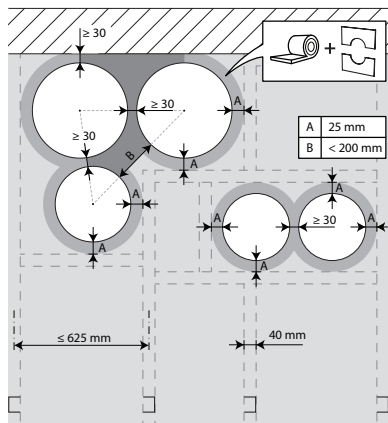
Installation in flexible wall (metal stud gypsum plasterboard wall)

The product was tested and approved in:

Range	Wall type	Sealing	Classification	
Ø 200-630 mm	Flexible wall	Metal studs gypsum plasterboard Type F (EN 520) ≥ 100 mm	Stone wool ≥ 40 kg/m ³ + cover plates	El 90 (v _e i ↔ o) S - (300 Pa)
Ø 200-630 mm	Flexible wall	Metal studs gypsum plasterboard Type A (EN 520) ≥ 100 mm	Stone wool ≥ 40 kg/m ³ + cover plates	El 60 (v _e i ↔ o) S - (500 Pa)

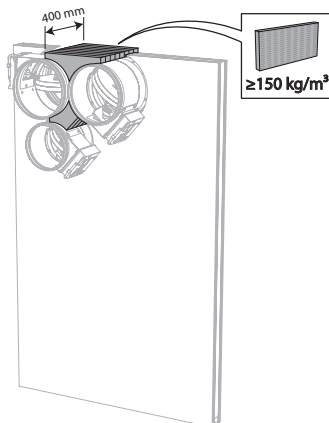


5



5. The dampers can be installed at a minimum distance (≥ 30 mm) from an adjacent wall or from another damper.

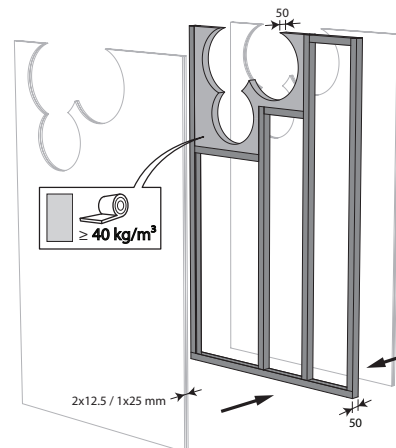
7



7. Mount the dampers in the opening.
Apply rigid stone wool panels ($\geq 150 \text{ kg/m}^3$) to a depth of 400 mm (150 mm on the mechanism side of the wall) to seal the opening at the side with minimal distances.
Caution: the opening is sealed according to the existing classification (see next point) when:

- 2 fire dampers are installed at a minimum distance from one another but at a normal distance (≥ 75 mm) from the wall or floor/ceiling.
- One single (no cluster) fire damper is located at a minimum distance (≤ 75 mm) from a wall or floor/ceiling.

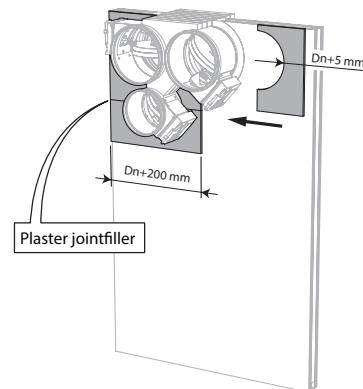
6



6. Build the drywall and foresee horizontal and vertical studs around the opening.

In the opening around the dampers ($D_n + 50$ mm), the void between the gypsum boards is filled with stone wool with a minimum density of 40 kg/m^3 .

8

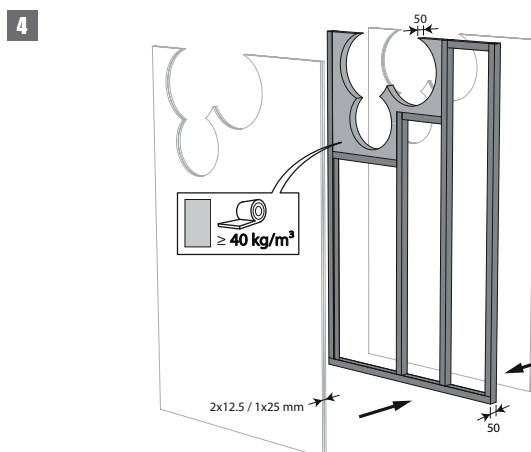
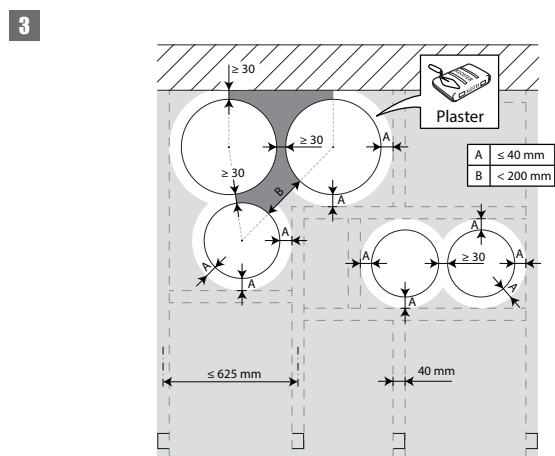
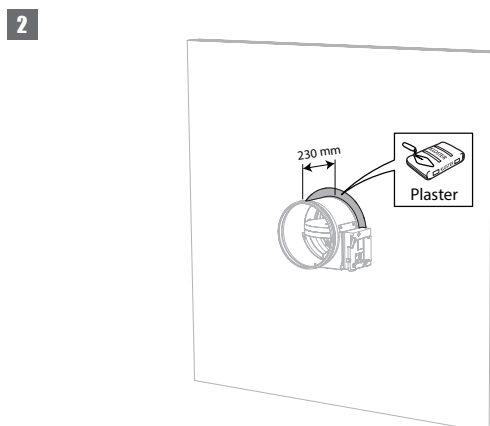
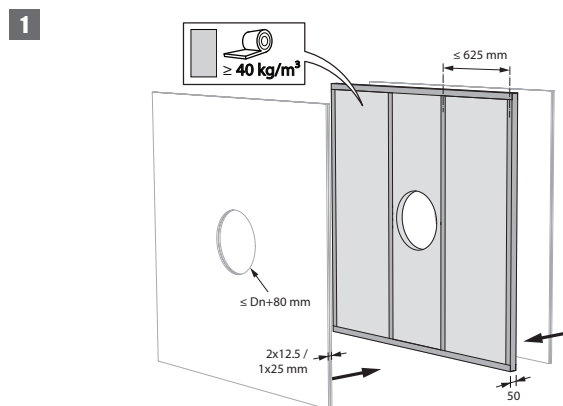


8. Apply cover plates (gypsum plasterboards) to finish the surface at both sides.
Seal off the space between the plasterboards with jointfiller.

Installation in flexible wall (metal stud gypsum plasterboard wall), sealing with gypsum

The product was tested and approved in:

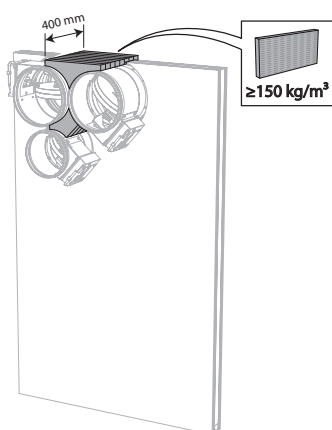
Range	Wall type	Sealing	Classification
Ø 200-630 mm	Flexible wall	Gypsum	EI 60 ($v_e i \leftrightarrow o$) S - (500 Pa)
Ø 200-630 mm	Flexible wall	Gypsum	EI 120 ($v_e i \leftrightarrow o$) S - (500 Pa)



3. The dampers can be installed at a minimum distance (≥ 30 mm) from an adjacent wall or from another damper.

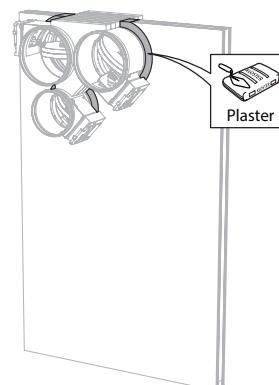
4. Build the drywall and foresee horizontal and vertical studs around the opening. In the opening around the dampers, the void between the gypsum boards is partially filled (up to $D_n + 80$ mm) with stone wool with a minimum density of 40 kg/m^3 .

5



5. Mount the dampers in the opening.
 Apply rigid stone wool panels ($\geq 150 \text{ kg/m}^3$) to a depth of 400 mm (150 mm on the mechanism side of the wall) to seal the opening at the side with minimal distances.
 The surface of this sealing is set between the axes (centres) of the dampers.
- Caution: the opening is sealed according to the existing classification (see next point) when:
- 2 fire dampers are installed at a minimum distance from one another but at a normal distance ($\geq 75 \text{ mm}$) from the wall or floor/ceiling.
 - One single (no cluster) fire damper is located at a minimum distance ($\leq 75 \text{ mm}$) from a wall or floor/ceiling.

6

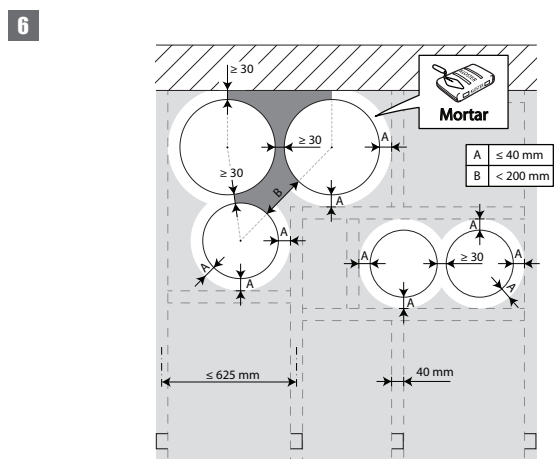
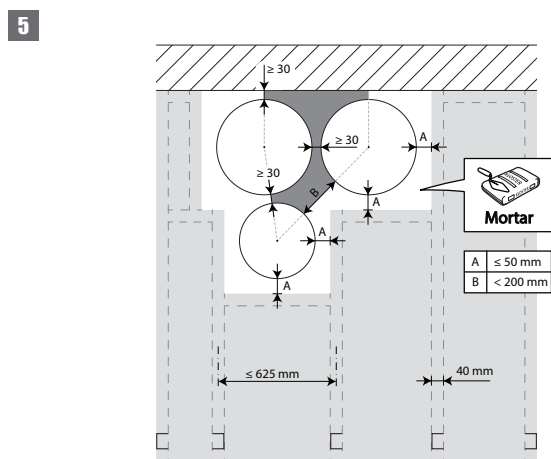
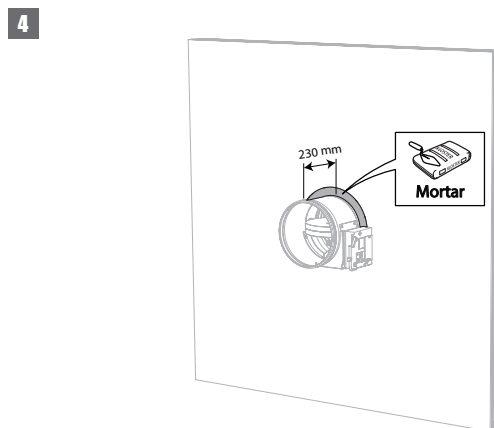
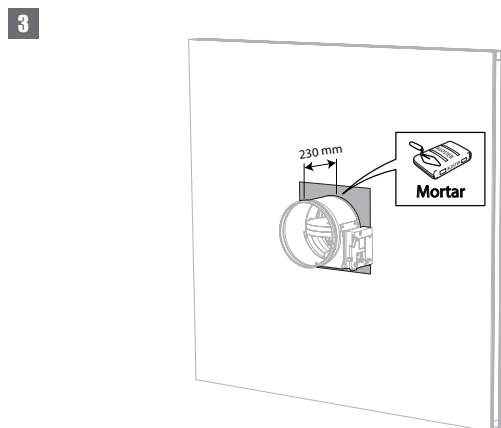
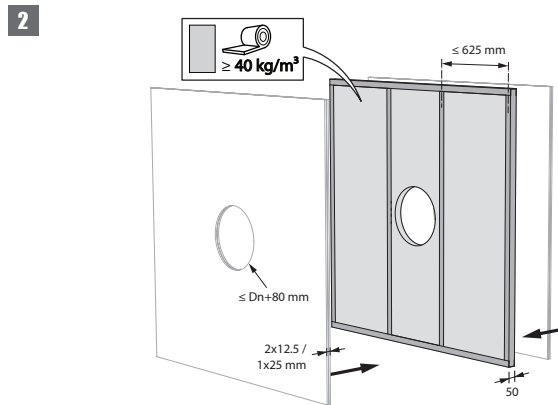
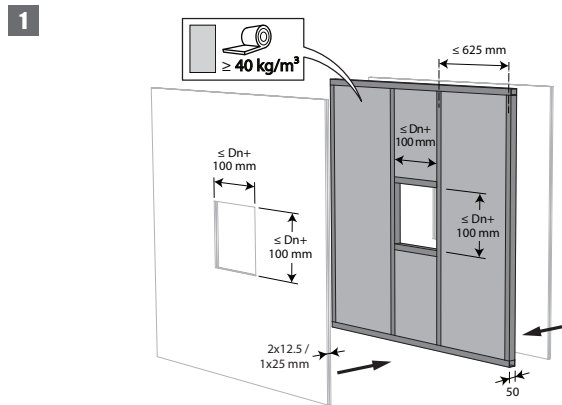


6. Seal the rest of the opening with standard gypsum across the entire wall thickness.

Installation in flexible wall (metal stud gypsum plasterboard wall), sealing with mortar

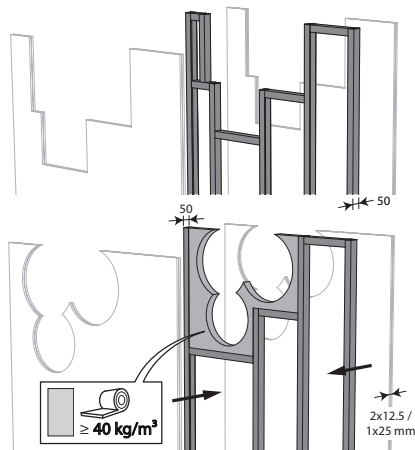
The product was tested and approved in:

Range	Wall type	Sealing	Classification
Ø 200-630 mm	Flexible wall	Mortar	El 90 (v_e i ↔ o) S - (300 Pa)



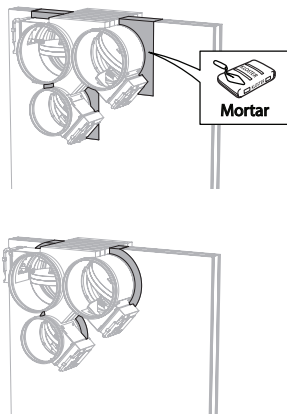
5. The dampers can be installed at a minimum distance (≥ 30 mm) from an adjacent wall or from another damper.

7



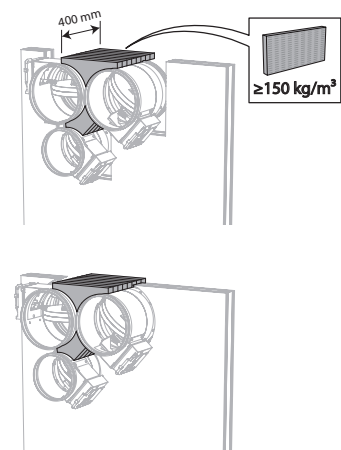
7. Build the drywall and foresee horizontal and vertical studs around the opening.
For a circular wall opening, the space between the plasterboard sheets is partially (up to $D_n + 40$ mm) filled with stone wool with a minimum density of 40kg/m^3 .

9



9. Seal the rest of the opening with standard mortar across the entire wall thickness.

8



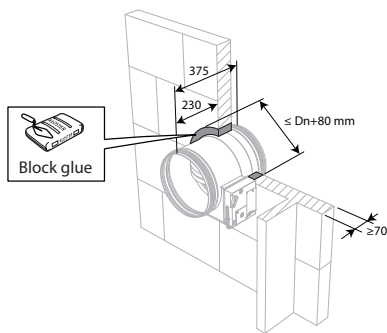
8. Mount the dampers in the opening.
Apply rigid stone wool panels ($\geq 150\text{ kg/m}^3$) to a depth of 400 mm (150 mm on the mechanism side of the wall) to seal the opening at the side with minimal distances.
The surface of this sealing is set between the axes (centres) of the dampers.
Caution: the opening is sealed according to the existing classification (see next point) when:
- 2 fire dampers are installed at a minimum distance from one another but at a normal distance (≥ 75 mm) from the wall or floor/ceiling.
- One single (no cluster) fire damper is located at a minimum distance (≤ 75 mm) from a wall or floor/ceiling.

Installation in gypsum block wall

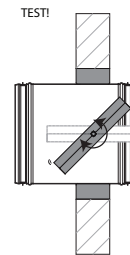
The product was tested and approved in:

Range	Wall type	Sealing	Classification
Ø 200-630 mm	Flexible wall	Gypsum blocks ≥ 70 mm	Block glue
			El 120 (v _e i ↔ o) S - (500 Pa)

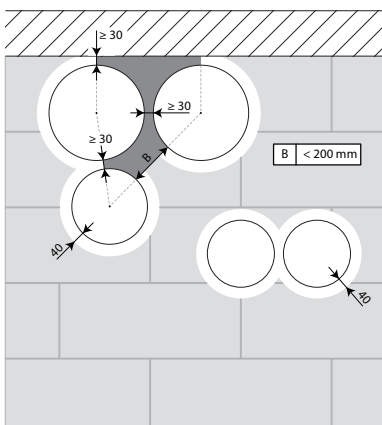
1



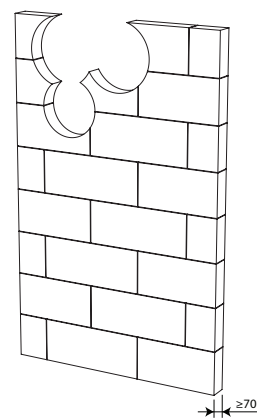
2



3



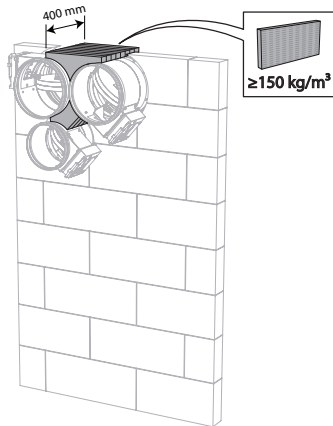
4



3. The dampers can be installed at a minimum distance from an adjacent wall or from another damper.

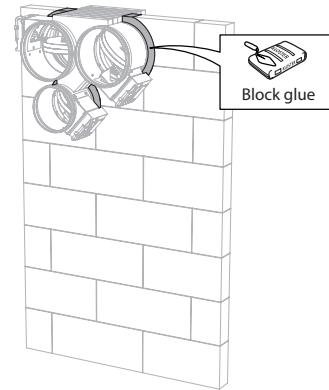
4. Make the necessary openings ($\leq D_n + 80$ mm) in the wall.

5



5. Mount the dampers in the opening.
 Apply rigid stone wool panels ($\geq 150 \text{ kg/m}^3$) to a depth of 400 mm (150 mm on the mechanism side of the wall) to seal the opening at the side with minimal distances.
 The surface of this sealing is set between the axes (centres) of the dampers.
 Caution: the opening is sealed according to the existing classification (see next point) when:
- 2 fire dampers are installed at a minimum distance from one another but at a normal distance ($\geq 75 \text{ mm}$) from the wall or floor/ceiling.
 - One single (no cluster) fire damper is located at a minimum distance ($\leq 75 \text{ mm}$) from a wall or floor/ceiling.

6

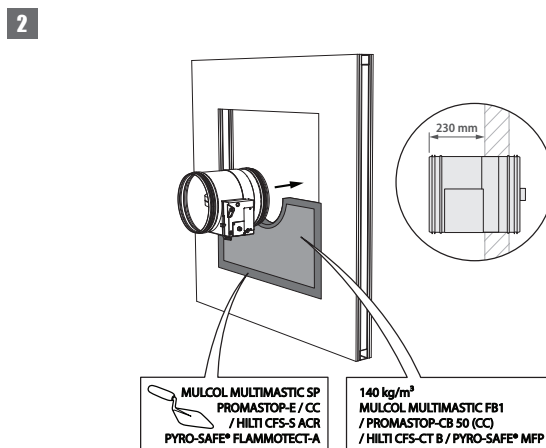
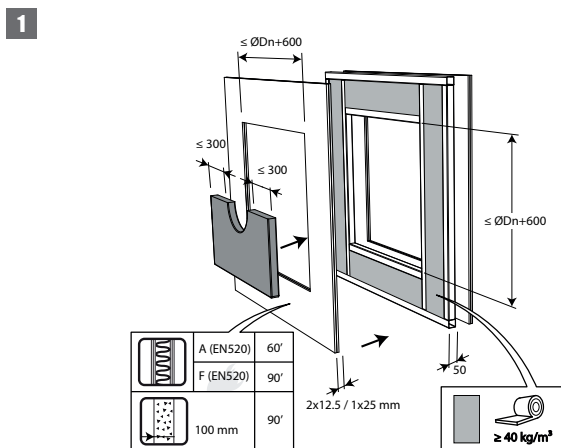


6. Seal the rest of the opening with block glue across the entire wall thickness.

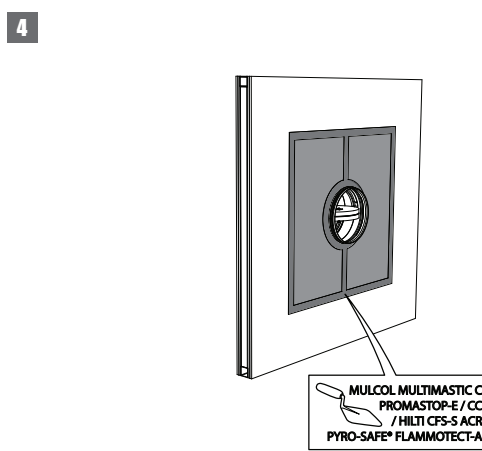
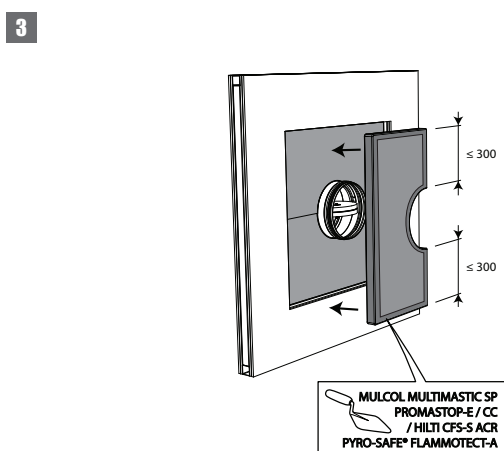
Installation in flexible and rigid wall, sealing with rigid rock wool boards with coating

The product was tested and approved in:

Range	Wall type	Sealing	Classification
Ø 200-630 mm	Rigid wall	Aerated concrete ≥ 100 mm	Stone wool + coating ≥ 140 kg/m ³
Ø 200-630 mm	Rigid wall	Aerated concrete ≥ 100 mm	Stone wool Mulcol Multimastic FB1 + coating
Ø 200-630 mm	Rigid wall	Aerated concrete ≥ 100 mm	Stone wool Pyro-Safe® MFP + coating
Ø 200-630 mm	Flexible wall	Metal studs gypsum plasterboard Type A (EN 520) ≥ 100 mm	Stone wool + coating ≥ 140 kg/m ³
Ø 200-630 mm	Flexible wall	Metal studs gypsum plasterboard Type F (EN 520) ≥ 100 mm	Stone wool + coating ≥ 140 kg/m ³
Ø 200-630 mm	Flexible wall	Metal studs gypsum plasterboard Type F (EN 520) ≥ 100 mm	Stone wool Mulcol Multimastic FB1 + coating
Ø 200-630 mm	Flexible wall	Metal studs gypsum plasterboard Type F (EN 520) ≥ 100 mm	Stone wool Pyro-Safe® MFP + coating

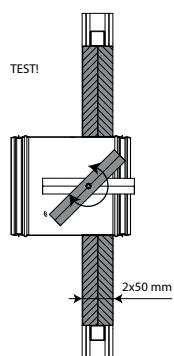


1. The opening around the damper is sealed with 2 layers of 50 mm-thick mineral wool panels with fire resistant coating on one side (type PROMASTOP-CB 50 / PROMASTOP-CB/CC 50 / HILTI CFS-CT B / Mulcol Multimastic FB1 / PYRO-SAFE® MFP).

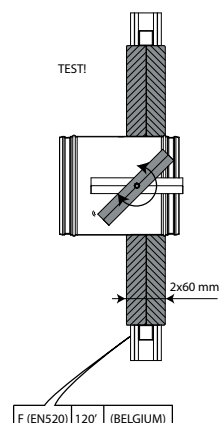


3. The joints on these 2 layers must be installed staggered and covered all around the edge with coating (type PROMASTOP-E / PROMASTOP-CC / HILTI CFS-S-ACR / Mulcol Multimastic SP / PYRO-SAFE® FLAMMOTECT-A).

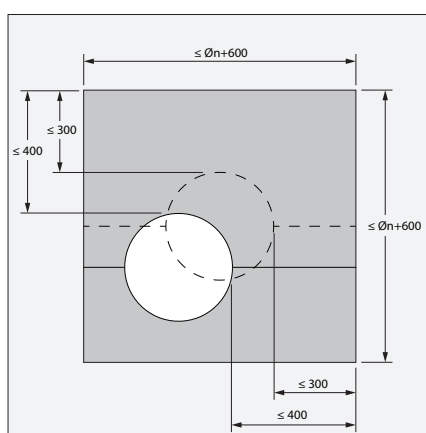
5



6

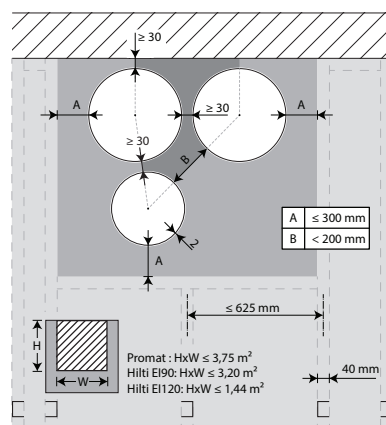


7



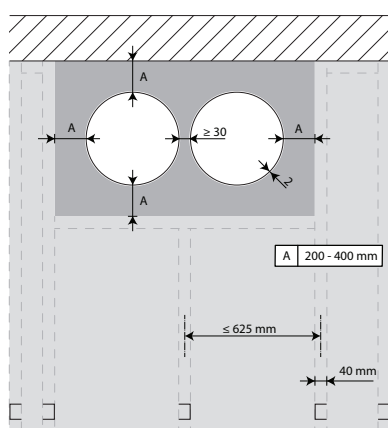
7. The damper does not need to be centered in the opening (with max dimensions fire damper + 600 mm). The maximal distance between the damper and the edge of the opening is 400 mm.

8

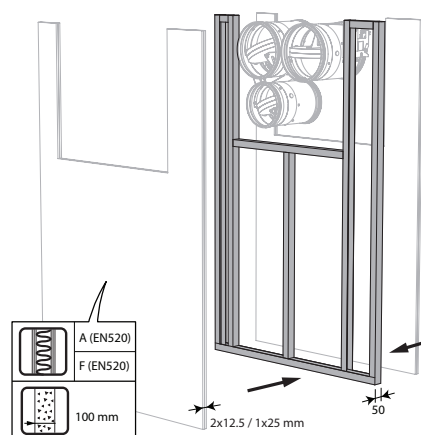


8. The dampers can be installed at a minimum distance (≥ 30 mm) from an adjacent wall or from another damper.

9

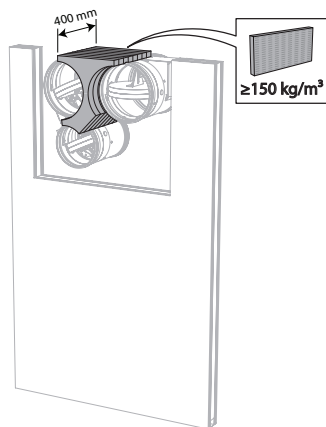


10



10. Build the drywall and foresee horizontal and vertical studs around the opening. Mount the dampers in the opening.

11

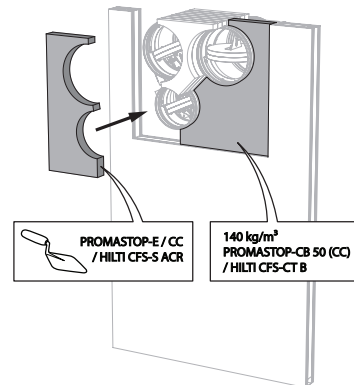


11. Apply rigid stone wool panels ($\geq 150 \text{ kg/m}^3$) to a depth of 400 mm (150 mm on the mechanism side of the wall) to seal the opening at the side with minimal distances.

Caution: the opening is sealed according to the existing classification (see next point) when:

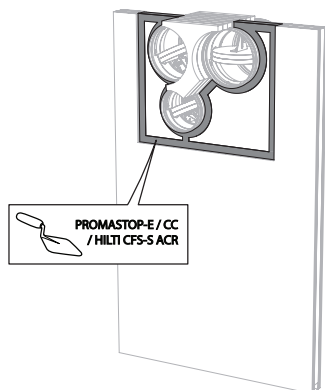
- 2 fire dampers are installed at a minimum distance from one another but at a normal distance ($\geq 75 \text{ mm}$) from the wall or floor/ceiling.
- One single (no cluster) fire damper is located at a minimum distance ($\leq 75 \text{ mm}$) from a wall or floor/ceiling.

12



12. Seal the rest of the opening with 2 layers of 50 mm-thick coated rigid mineral wool panels (see above).

13

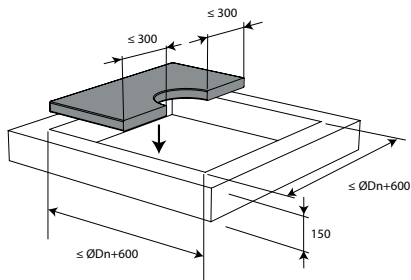


Installation in rigid floor, sealing with rigid rock wool boards with coating

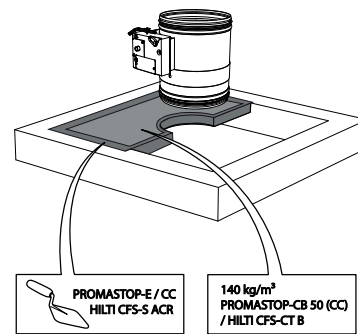
The product was tested and approved in:

Range	Wall type	Sealing	Classification
Ø 200-630 mm	Rigid floor	Aerated concrete ≥ 150 mm Stone wool + coating ≥ 140 kg/m ³	El 120 (h _o i ↔ o) S - (300 Pa)

1

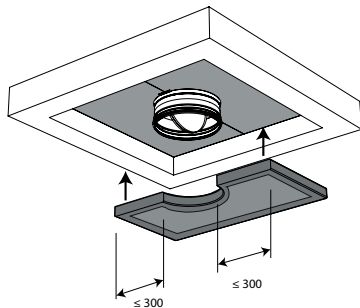


2

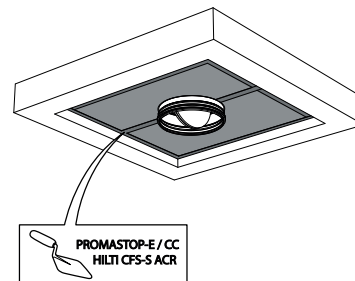


1. The opening around the damper is sealed with 2 layers of 50 mm-thick mineral wool panels with fire resistant coating on one side (type PROMASTOP-CB 50 / PROMASTOP-CB/CC 50 / HILTI CFS-CT B).

3

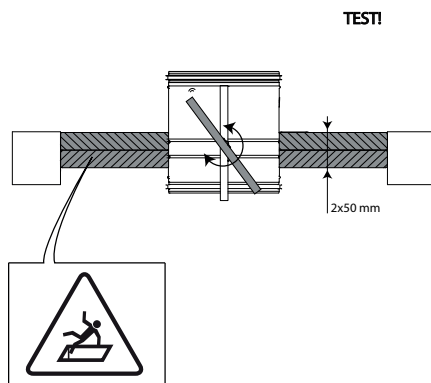


4

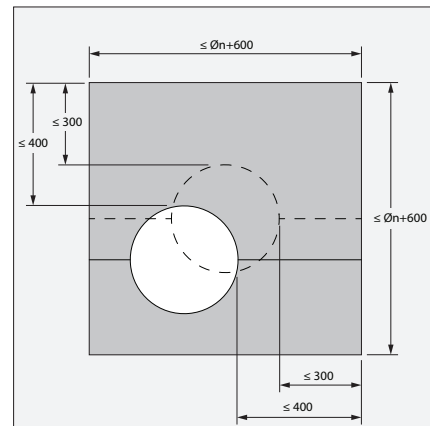


3. The joints on these 2 layers must be installed staggered and covered all around the edge with coating (type PROMASTOP-E / PROMASTOP-CC / HILTI CFS-S-ACR).

5

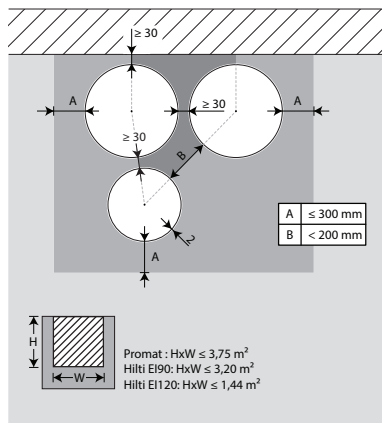


6



6. The damper does not need to be centered in the opening (with max dimensions fire damper + 600 mm). The maximal distance between the damper and the edge of the opening is 400 mm.

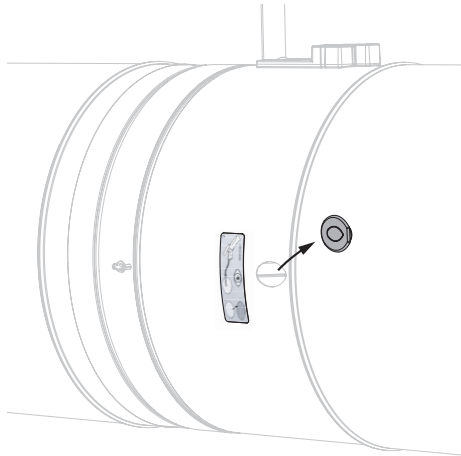
7



7. The dampers can be installed at a minimum distance (≥ 30 mm) from an adjacent wall or from another damper. For details, please refer to 'Installation in flexible and rigid wall, sealing with rigid rock wool boards with coating'

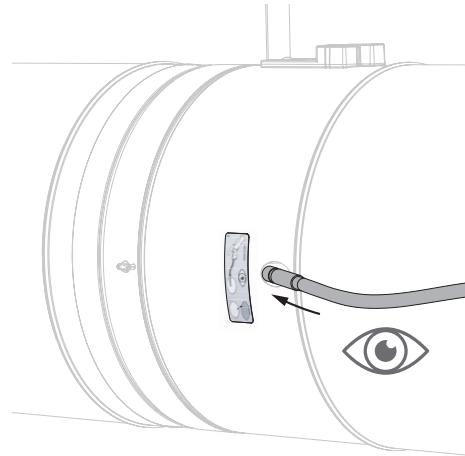
Inspection of the damper

1



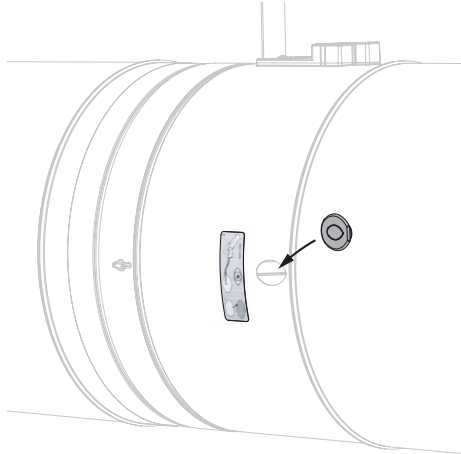
1. Remove the air-tight plug from the damper.

2



2. Insert the camera of the endoscope (for example Inspecam Rf-t) through the opening and inspect the inside of the damper.

3



3. After inspection, replace the air-tight plug thoroughly on the damper opening. The position is crucial in order to maintain the air-tightness of the fire damper.

Maintenance

- No specific maintenance required.
- Schedule at least 2 visual checks each year.
- Remove dust and all other particles before use.
- Follow local maintenance regulations (i.e. BS9999 Annex V; NF S 61-933) and EN13306.
- Read the maintenance instructions on our website:
https://www.rft.eu/assets//PIM/DOCUMENTS/BROCHURE%20KITS/BRO_K139_MAINTENANCE_C.pdf
- Use the damper at up to 95% humidity, non-condensing.
- The fire damper can be cleaned with a dry or slightly damp cloth. It is forbidden to use abrasive cleaners or mechanical cleaning techniques (brush).

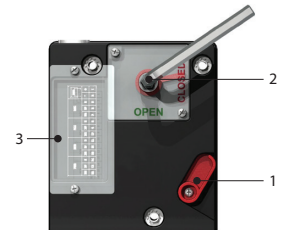
Operation and mechanisms



CFTH Mechanism with fusible link

The unlocking mechanism CFTH automatically unlatches the damper blade when the temperature in the duct rises above 72°C. The damper can also be unlocked and reset manually.

1. unlocking button
2. resetting handle
3. cable entrance



Options - at the time of order

FCU	Limit switch 'closed'
FDCU	Unipolar limit switch 'open/closed'
FDCB	Bipolar auxiliary limit switch 'open/closed'

Unlocking

- **manual unlocking:** use the unlocking button (1).
- **automatic unlocking:** when the fusible link melts at 72° C.
- **remote unlocking:** n/a

Resetting

- **manual resetting:** use the enclosed Hex key and turn clockwise(2).
- **motorised resetting:** n/a

Caution:

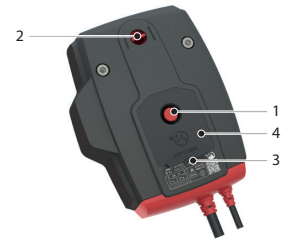
- ⚠ The mechanism may never be tested on its own, without being attached to the damper. Such a test might damage the mechanism or the operator might be injured.



ONE Spring return actuator for remote control

The spring-return actuator ONE is designed to easily operate Rf-t fire dampers of all sizes, automatically or remotely. Six models are available, 24 or 230 volt, with FDCU or FDCB position switches; and optionally with plug (ST).

1. unlocking button
2. blade position indicator
3. LED
4. battery compartment to reset motor



Unlocking

- **manual unlocking:** shortly press the unlocking button (1) once.
- **automatic unlocking:** the fusible link reacts as soon as the temperature in the duct reaches 72°C.
- **remote unlocking:** by interrupting the power supply.

Resetting

- **manual resetting:** open the battery compartment (4) and press a 9V battery against the contact springs. Hold this position until the LED (3) emits a continuous light. Check whether the indicator (2) shows that the damper blade is in the open position. Remove the battery, the LED fades away. Close the battery compartment.
- **motorised resetting:** switch off the power supply for at least 5 sec. Power the actuator (respect the prescribed voltage) for at least 75 sec. The resetting stops automatically when the end of range is reached (damper open).

Caution:

- ▲ If the LED (3) flickers fast (3x/sec.), the battery is discharged: use a new battery.
- ▲ If the LED (3) flickers slowly (1x/sec), the resetting is in progress.
- ▲ If the LED (3) is continuously on, the resetting is complete and the motor is powered.
- ▲ If the actuator detects voltage on the power cable, a brief contact of the battery is enough to start the resetting process.
- ▲ The power supply of this actuator cannot be individually replaced. If the cable is damaged, the whole unit must be discarded and replaced.
- ▲ The housing of the mechanism contains a temperature sensor. When the temperature in the housing exceeds 72°C, the mechanism unlocks. The LED flashes twice per second. When the temperature drops below 72°C, the mechanism can only be reset in a motorised manner after a manual reset (with a battery).
- ▲ The end of range switches need 1 second after operation to adopt a stable position.
- ▲ Make sure the thermal trigger device is present in the actuator. The actuator might not function properly if this is not the case.

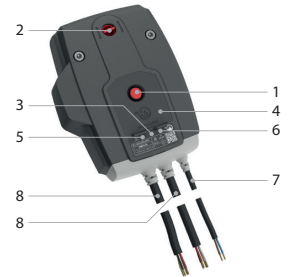
	prod. < 1/7/2015				prod. ≥ 1/7/2015			
	CR60(1s) CR120	CU-LT CU-LT-1s	CR2≤400 CU2≤1200	CR2>400 CU2>1200	CR60(1s) CR120(1s)	CU-LT CU-LT-1s	CR2≤400 CU2≤1200	CR2>400 CU2>1200
Kit ONE	●	●	●		●	●	●	●



ONE-X Spring return actuator with integrated communication module.

The ONE-X is a spring return actuator with integrated communication module designed to simply operate Rf-t fire dampers of all sizes, automatically or remotely. The ONE-X is available in two versions: 24 V and 230 V.

1. unlocking button
2. blade position indicator
3. LED red: status
4. battery compartment
5. LED blue: communication
6. LED orange: error message
7. supply
8. bus cable



Unlocking

- **manual unlocking:** shortly press the unlocking button (1) once.
- **automatic unlocking:** the fusible link reacts as soon as the temperature in the duct reaches 72°C.
- **remote unlocking:** via ZENiX controller

Resetting

- **manual resetting:** Open the battery compartment (4) and press a 9V battery against the contact springs. Hold this position until the red LED (3) emits a continuous light. Control whether the indicator (2) indicates that the damper blade is open. Remove the battery. Close the battery compartment.
- **motorised resetting:** via ZENiX controller. By applying voltage during first use.

Caution:

- ▲ If the ONE-X detects voltage on the power cable, a brief contact of the battery is enough to start the resetting process, provided the ZENiX controller has sent the damper to open position or the ONE-X is being operated for the first time.
- ▲ The power supply of this actuator cannot be individually replaced. If the cable is damaged, the whole unit must be discarded and replaced.
- ▲ The housing of the mechanism contains a temperature sensor. When the temperature in the housing exceeds 72°C, the mechanism unlocks. The LED flashes twice per second. When the temperature drops below 72°C, the mechanism can only be reset in a motorised manner after a manual reset (with a battery).
- ▲ The end of range switches need 1 second after operation to adopt a stable position.

Safety regulations:

- ▲ Do not use the ONE-X for any application other than the specified applications, in particular not in aircraft or other airborne vehicles.
- ▲ The company that purchases and/or installs the ONE-X is fully responsible for the correct operation of the entire system. Only authorised specialists may perform the installation. All rules and regulations, including statutory regulations, must be observed during installation.
- ▲ This device contains electrical or electronic components and must not be disposed of as household waste. All locally applicable regulations and requirements must be strictly observed.



BFL(T) Remotely controlled spring return actuator

The spring return actuator BFL(T) is especially designed to operate fire dampers remotely. The BFL(T) variant is intended for fire dampers with smaller dimensions (CR60, CR120, CR2 with $\varnothing \leq 400$ mm, CRS60 with $\varnothing \leq 315$ mm, CU2 / CU2-15 / CU4 with B+H ≤ 1200 mm or for CU-LT and CU-LT-1s). For Markage FD with H = 200 mm or H = 2200 mm (in combination with BFT motor).

1. locking button
2. plug (ST)
3. access for manual resetting
4. thermo-electric tripping device (T)



Options - at the time of order

SN2 BFL/BFN Auxiliary limit switch 'open/closed'

Unlocking

- **manual unlocking:** place the locking button on "unlock". (In case of BFLT: the damper can alternatively be unlocked by pushing the "test" button on the thermo-electric fuse)
- **automatic unlocking:** the thermo-electric fuse reacts as soon as the temperature reaches 72°C (type BFLT).
- **remote unlocking:** by interrupting the power supply.

Caution:

- ⚠ The thermo-electric fuse will not move the damper into its safety position (when the temperature reaches 72°C) if the motor is not powered.

Resetting

- **manual resetting:** turn the enclosed handle anti-clockwise. To block the motor, place the locking button on "lock"
- **motorised resetting:** switch off the power supply for at least 10 seconds. Supply the actuator (respect the prescribed voltage) for at least 75 seconds. The resetting stops automatically when the end of range is reached (damper open) - it takes about 60 seconds to reset the damper - or when the power supply is interrupted.

Caution:

- ⚠ Do not use a drill or powered screwdriver.
- ⚠ Stop as soon as the motor is completely rearmed (end of range).

	prod. < 1/7/2015				prod. ≥ 1/7/2015			
	CR60(1s) CR120	CU-LT CU-LT-1s	CR2≤400 CU2≤1200	CR2>400 CU2>1200	CR60(1s) CR120 (1s)	CU-LT CU-LT-1s	CR2≤400 CU2≤1200	CR2>400 CU2>1200
Kit BFL					●	●	●	
Kit BFN	●	●	●					●
Kit BF				●				



BFN(T) Remotely controlled spring return actuator

The spring return actuator BFN(T) is especially designed to operate fire dampers remotely. The BFN(T) variant is intended for fire dampers with large dimensions (CRE60, CR2 with $\varnothing > 400$ mm, CRS60 with $\varnothing > 315$ mm or CU2, CU2-15, CU4 with B+H > 1200 mm. For Markage FD with H of 400 and 600 mm or with H = 1200 mm (2 pcs) and with H = 2400 mm (in combination with BFT motor).

1. locking button
2. plug (ST)
3. access for manual resetting
4. thermo-electric tripping device (T)



Options - at the time of order

SN2 BFL/BFN Auxiliary limit switch 'open/closed'

Unlocking

- **manual unlocking:** place the locking button on "unlock". (In case of BFNT: the damper can alternatively be unlocked by pushing the "test" button on the thermo-electric fuse)
- **automatic unlocking:** the thermo-electric fuse reacts as soon as the temperature reaches 72°C (type BFNT).
- **remote unlocking:** by interrupting the power supply.

Caution:

- ⚠ The thermo-electric fuse will not move the damper into its safety position (when the temperature reaches 72°C) if the motor is not powered.

Resetting

- **manual resetting:** turn the enclosed handle anti-clockwise. To block the motor, place the locking button on "lock"
- **motorised resetting:** switch off the power supply for at least 10 seconds. Supply the actuator (respect the prescribed voltage) for at least 75 seconds. The resetting stops automatically when the end of range is reached (damper open) - it takes about 60 seconds to reset the damper - or when the power supply is interrupted.

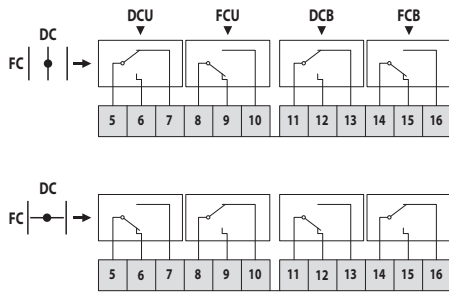
Caution:

- ⚠ Do not use a drill or powered screwdriver.
- ⚠ Stop as soon as the motor is completely rearmed (end of range).

	prod. < 1/7/2015				prod. ≥ 1/7/2015			
	CR60(1s) CR120	CU-LT CU-LT-1s	CR2≤400 CU2≤1200	CR2>400 CU2>1200	CR60(1s) CR120 (1s)	CU-LT CU-LT-1s	CR2≤400 CU2≤1200	CR2>400 CU2>1200
Kit BFL					●	●	●	
Kit BFN	●	●	●					●
Kit BF				●				

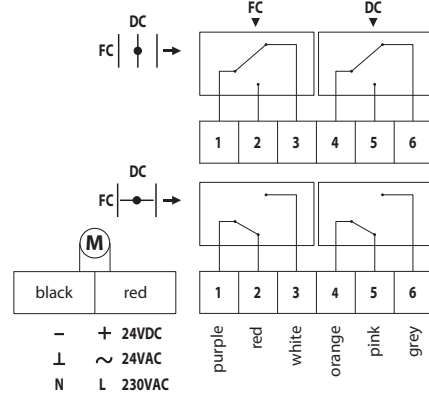
Electrical connection

CFTH



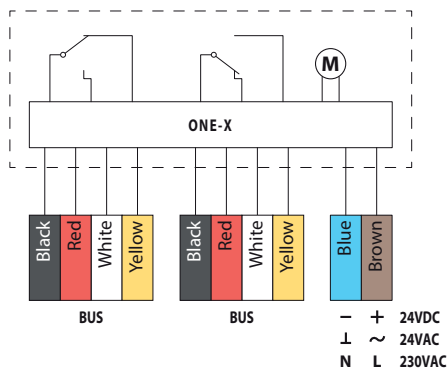
DC: Switch open position fire damper
 FC: Switch closed position fire damper

ONE

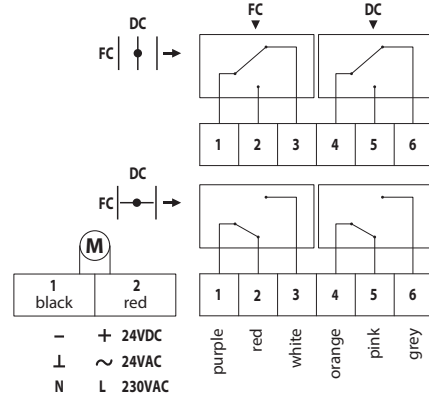


DC: Switch open position fire damper
 FC: Switch closed position fire damper

ONE-X

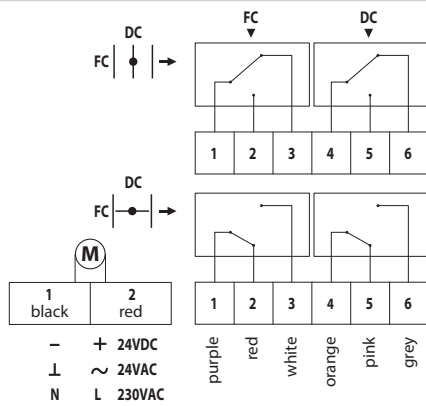


BFL(T)



DC: Switch open position fire damper
 FC: Switch closed position fire damper

BFN(T)



DC: Switch open position fire damper
 FC: Switch closed position fire damper

MEC	Nominal voltage motor	Nominal voltage magnet	Power consumption (stand-by)	Power consumption (operating)	Standard switches	Resetting time motor
CFTH	N/A	N/A	N/A	N/A	1mA...6A, DC 5V...AC 250V	N/A
ONE T 24 FDCU ST	24 V AC/DC (-10/+20%)	N/A	0,28 W	4,2 W	1mA...1A 60V	< 75 s (cabled) / < 85 s (battery)
ONE T 24 FDCU	24 V AC/DC (-10/+20%)	N/A	0,28 W	4,2 W	1mA...1A 60V	< 75 s (cabled) / < 85 s (battery)
ONE T 230 FDCU ST	230 V AC (-15/+15%)	N/A	0,57 W	4,2 W	1mA...100mA 230V	< 75 s (cabled) / < 85 s (battery)
ONE T 230 FDCU	230 V AC (-15/+15%)	N/A	0,57 W	4,2 W	1mA...100mA 230V	< 75 s (cabled) / < 85 s (battery)
ONE T 24 FDCB	24 V AC/DC (-10/+20%)	N/A	0,28 W	4,2 W	1mA...1A 60V	< 75 s (cabled) / < 85 s (battery)
ONE T 230 FDCB	230 V AC (-15/+15%)	N/A	0,57 W	4,2 W	1mA...1A 60V	< 75 s (cabled) / < 85 s (battery)
ONE-X 24	24 V AC/DC (-10/+20%)	N/A	0,28 W	4,2 W		< 75 s (cabled) / < 85 s (battery)
ONE-X 230	230 V AC (-15/+15%)	N/A	0,57 W	4,2 W		< 75 s (cabled) / < 85 s (battery)
BFL24	24 V AC/DC	N/A	0,7 W	2,5 W	1mA...3A, AC 250V	< 60 s
BFL24-ST	24 V AC/DC	N/A	0,7 W	2,5 W	1mA...3A, AC 250V	< 60 s
BFL230	230 V AC	N/A	0,9 W	3 W	1mA...3A, AC 250V	< 60 s
BFLT24	24 V AC/DC	N/A	0,8 W	2,5 W	1mA...3A, AC 250V	< 60 s
BFLT24-ST	24 V AC/DC	N/A	0,8 W	2,5 W	1mA...3A, AC 250V	< 60 s
BFLT230	230 V AC	N/A	1,1 W	3,5 W	1mA...3A, AC 250V	< 60 s
BFLT230-ST	230 V AC	N/A	1,1 W	3,5 W	1mA...3A, AC 250V	< 60 s
BFN24	24 V AC/DC	N/A	1,4 W	4 W	1mA...3A, AC 250V	< 60 s
BFN24-ST	24 V AC/DC	N/A	1,4 W	4 W	1mA...3A, AC 250V	< 60 s
BFN230	230 V AC	N/A	2 W	4,5 W	1mA...3A, AC 250V	< 60 s
BFNT24	24 V AC/DC	N/A	1,4 W	4 W	1mA...3A, AC 250V	< 60 s
BFNT24-ST	24 V AC/DC	N/A	1,4 W	4 W	1mA...3A, AC 250V	< 60 s
BFNT230	230 V AC	N/A	2,1 W	5 W	1mA...3A, AC 250V	< 60 s
BFNT230-ST	230 V AC	N/A	2,1 W	5 W	1mA...3A, AC 250V	< 60 s

MEC	Running time spring	Noise level motor	Noise level spring	Cable supply / control	Cable auxiliary switch	Protection class
CFTH	1 s	N/A	N/A			IP 42
ONE T 24 FDCU ST	< 30 s	< 64 dB (A)	< 67 dB (A)	1 m, 2 x 0.75 mm ² (halogen-free)	1 m, 6 x 0.75 mm ² (halogen-free)	IP 54
ONE T 24 FDCU	< 30 s	< 64 dB (A)	< 67 dB (A)	1 m, 2 x 0.75 mm ² (halogen-free)	1 m, 6 x 0.75 mm ² (halogen-free)	IP 54
ONE T 230 FDCU ST	< 30 s	< 64 dB (A)	< 67 dB (A)	1 m, 2 x 0.75 mm ² (halogen-free)	1 m, 6 x 0.75 mm ² (halogen-free)	IP 54
ONE T 230 FDCU	< 30 s	< 64 dB (A)	< 67 dB (A)	1 m, 2 x 0.75 mm ² (halogen-free)	1 m, 6 x 0.75 mm ² (halogen-free)	IP 54
ONE T 24 FDCB	< 30 s	< 64 dB (A)	< 67 dB (A)	1 m, 2 x 0.75 mm ² (halogen-free)	(2x) 1 m, 6 x 0,75 mm ² (halogen-free)	IP 54
ONE T 230 FDCB	< 30 s	< 64 dB (A)	< 67 dB (A)	1 m, 2 x 0.75 mm ² (halogen-free)	(2x) 1 m, 6 x 0,75 mm ² (halogen-free)	IP 54
ONE-X 24	< 30 s	< 64 dB (A)	< 67 dB (A)	1 m, 2 x 0.75 mm ² (halogen-free)	bus cable: (2x) 1 m, 4 x 0,75 mm ² (halogen-free)	IP 54
ONE-X 230	< 30 s	< 64 dB (A)	< 67 dB (A)	1 m, 2 x 0.75 mm ² (halogen-free)	bus cable: (2x) 1 m, 4 x 0,75 mm ² (halogen-free)	IP 54
BFL24	20 s	< 43 dB (A)	< 62 dB (A)	1 m, 2 x 0.75 mm ² (halogen-free)	1 m, 6 x 0.75 mm ² (halogen-free)	IP 54
BFL24-ST	20 s	< 43 dB (A)	< 62 dB (A)	1 m, 2 x 0.75 mm ² (halogen-free)	1 m, 6 x 0.75 mm ² (halogen-free)	IP 54
BFL230	20 s	< 43 dB (A)	< 62 dB (A)	1 m, 2 x 0.75 mm ² (halogen-free)	1 m, 6 x 0.75 mm ² (halogen-free)	IP 54
BFLT24	20 s	< 43 dB (A)	< 62 dB (A)	1 m, 2 x 0.75 mm ² (halogen-free)	1 m, 6 x 0.75 mm ² (halogen-free)	IP 54
BFLT24-ST	20 s	< 43 dB (A)	< 62 dB (A)	1 m, 2 x 0.75 mm ² (halogen-free)	1 m, 6 x 0.75 mm ² (halogen-free)	IP 54
BFLT230	20 s	< 43 dB (A)	< 62 dB (A)	1 m, 2 x 0.75 mm ² (halogen-free)	1 m, 6 x 0.75 mm ² (halogen-free)	IP 54
BFLT230-ST	20 s	< 43 dB (A)	< 62 dB (A)	1 m, 2 x 0.75 mm ² (halogen-free)	1 m, 6 x 0.75 mm ² (halogen-free)	IP 54
BFN24	20 s	≤ 55 dB (A)	ca. 67 dB (A)	1 m, 2 x 0.75 mm ² (halogen-free)	1 m, 6 x 0.75 mm ² (halogen-free)	IP 54
BFN24-ST	20 s	≤ 55 dB (A)	ca. 67 dB (A)	1 m, 2 x 0.75 mm ² (halogen-free)	1 m, 6 x 0.75 mm ² (halogen-free)	IP 54
BFN230	20 s	≤ 55 dB (A)	ca. 67 dB (A)	1 m, 2 x 0.75 mm ² (halogen-free)	1 m, 6 x 0.75 mm ² (halogen-free)	IP 54
BFNT24	20 s	≤ 55 dB (A)	ca. 67 dB (A)	1 m, 2 x 0.75 mm ² (halogen-free)	1 m, 6 x 0.75 mm ² (halogen-free)	IP 54
BFNT24-ST	20 s	≤ 55 dB (A)	ca. 67 dB (A)	1 m, 2 x 0.75 mm ² (halogen-free)	1 m, 6 x 0.75 mm ² (halogen-free)	IP 54
BFNT230	20 s	≤ 55 dB (A)	ca. 67 dB (A)	1 m, 2 x 0.75 mm ² (halogen-free)	1 m, 6 x 0.75 mm ² (halogen-free)	IP 54
BFNT230-ST	20 s	≤ 55 dB (A)	ca. 67 dB (A)	1 m, 2 x 0.75 mm ² (halogen-free)	1 m, 6 x 0.75 mm ² (halogen-free)	IP 54

Weights

CR2 + CFTH

ØDn [mm]	200	250	315	355	400	450	500	560	630	
kg	6,9	8,0	11,0	13,0	16,0	18,0	21,0	24,0	28,0	

CR2 + ONE

ØDn [mm]	200	250	315	355	400	450	500	560	630	
kg	7,7	8,8	11,8	13,8	16,8	18,8	21,8	24,8	28,8	

CR2 + BFL

ØDn [mm]	200	250	315	355	400	450	500	560	630	
kg	7,0	8,1	11,1	13,1	16,1	-	-	-	-	

CR2 + BFLT

ØDn [mm]	200	250	315	355	400	450	500	560	630	
kg	7,1	8,2	11,2	13,2	16,2	-	-	-	-	

CR2 + BFN

ØDn [mm]	200	250	315	355	400	450	500	560	630	
kg	-	-	-	-	-	18,4	21,4	24,4	28,4	

CR2 + BFNT

ØDn [mm]	200	250	315	355	400	450	500	560	630	
kg	-	-	-	-	-	18,5	21,5	24,5	28,5	

CR2-L500 + CFTH

ØDn [mm]	200	250	315	355	400	450	500	560	630	
kg	8,1	9,5	13,0	15,3	18,6	21,5	25,0	28,5	33,1	

CR2-L500 + ONE

ØDn [mm]	200	250	315	355	400	450	500	560	630	
kg	8,9	10,3	13,8	16,1	19,4	22,3	25,8	29,3	33,9	

CR2-L500 + BFL

ØDn [mm]	200	250	315	355	400	450	500	560	630	
kg	8,2	9,6	13,0	15,3	18,7	-	-	-	-	

CR2-L500 + BFLT

ØDn [mm]	200	250	315	355	400	450	500	560	630	
kg	8,3	9,7	13,1	15,4	18,8	-	-	-	-	

CR2-L500 + BFN

ØDn [mm]	200	250	315	355	400	450	500	560	630	
kg	-	-	-	-	-	21,9	25,3	28,8	33,5	

CR2-L500 + BFNT

ØDn [mm]	200	250	315	355	400	450	500	560	630	
kg	-	-	-	-	-	22,0	25,4	28,9	33,6	

Selection data

$$\Delta p \text{ [Pa]} = \zeta \cdot v^2 \cdot 0,6$$

ØDn [mm]	200	250	315	355	400	450	500	560	630	
ζ [-]	7,42	3,96	2,17	1,62	1,21	0,92	0,72	0,56	0,43	

Example

Data

Dn = 315 mm, v = 4 m/s

Calculation

$\Delta p = 2.17 \cdot (4 \text{ m/s})^2 \cdot 0.6 = 20.83 \text{ Pa}$

CR2 - A-weighted sound power level Lwa in the room

ØDn [mm]	200	250	315	355	400	450	500	560	630		
Sn [m ²]	0,0129	0,0253	0,0472	0,0640	0,0859	0,1139	0,1459	0,1895	0,2474		
Sn [%]	41,54	51,89	60,94	64,99	68,67	71,94	74,60	77,19	79,62		
Q [m ³ /h]	363	674	1.250	1.710	2.332	3.159	4.137	5.523	7.446		45 dB
Δp [Pa]	45,88	34,57	25,84	22,39	19,29	16,80	14,80	13,03	11,36		
Q [m ³ /h]	301	560	1.038	1.420	1.936	2.622	3.434	4.585	6.182		40 dB
Δp [Pa]	31,62	23,82	17,81	15,43	13,29	11,58	10,20	8,98	7,83		
Q [m ³ /h]	250	465	861	1.179	1.607	2.177	2.851	3.806	5.132		35 dB
Δp [Pa]	21,79	16,42	12,27	10,63	9,16	7,98	7,03	6,19	5,39		
Q [m ³ /h]	208	386	715	978	1.334	1.807	2.367	3.160	4.260		30 dB
Δp [Pa]	15,02	11,31	8,46	7,33	6,31	5,50	4,84	4,27	3,72		
Q [m ³ /h]	172	320	594	812	1.107	1.500	1.965	2.623	3.536		25 dB
Δp [Pa]	10,35	7,80	5,83	5,05	4,35	3,79	3,34	2,94	2,56		

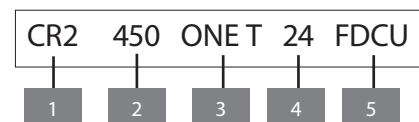
Every air flow lower than the above mentioned maximum value, will meet the listed A-weighted sound power level for the respective dimension. More information on sound power can be found in the product information on our website (documents).

CR2-L500 - A-weighted sound power level Lwa in the room

ØDn [mm]	200	250	315	355	400	450	500	560	630		
Sn [m ²]	0,0129	0,0253	0,0472	0,0640	0,0859	0,1139	0,1459	0,1895	0,2474		
Sn [%]	41,54	51,89	60,94	64,99	68,67	71,94	74,60	77,19	79,62		
Q [m ³ /h]	363	674	1.250	1.710	2.332	3.159	4.137	5.523	7.446		45 dB
Δp [Pa]	45,88	34,57	25,84	22,39	19,29	16,80	14,80	13,03	11,36		
Q [m ³ /h]	301	560	1.038	1.420	1.936	2.622	3.434	4.585	6.182		40 dB
Δp [Pa]	31,62	23,82	17,81	15,43	13,29	11,58	10,20	8,98	7,83		
Q [m ³ /h]	250	465	861	1.179	1.607	2.177	2.851	3.806	5.132		35 dB
Δp [Pa]	21,79	16,42	12,27	10,63	9,16	7,98	7,03	6,19	5,39		
Q [m ³ /h]	208	386	715	978	1.334	1.807	2.367	3.160	4.260		30 dB
Δp [Pa]	15,02	11,31	8,46	7,33	6,31	5,50	4,84	4,27	3,72		
Q [m ³ /h]	172	320	594	812	1.107	1.500	1.965	2.623	3.536		25 dB
Δp [Pa]	10,35	7,80	5,83	5,05	4,35	3,79	3,34	2,94	2,56		

Every air flow lower than the above mentioned maximum value, will meet the listed A-weighted sound power level for the respective dimension. More information on sound power can be found in the product information on our website (documents).

Sample order



1. product
2. diameter
3. mechanism type
4. option: type voltage
5. option: uni/bipolar switches

Approvals and certificates

All our dampers are submitted to a number of tests by official test institutes. Reports of these tests form the basis for the approvals of our dampers.



BCCA-0749-CPR-BC1-606-0464-15650.01-2517



18.14

NF 537
CLAPETS RÉSISTANT AU FEU
VOLETS RÉSISTANT AU FEU
www.marque-nf.com



SC0647-15



26814



2822-UKCA-CPR-0054

The NF-label guarantees: conformity with the standard NF S 61-937 Parts 1 and 5: "Systèmes de Sécurité Incendie Dispositifs Actionnés de Sécurité"; conformity with the national decree of March 22, 2004, changed on 14 March 2011 for the classification of fire resistance; the values of the characteristics mentioned in this document. Organisme Certificateur: AFNOR Certification, 11 Rue Francis de Pressensé, F93571 La Plaine Saint-Denis Cedex; Website: <http://www.afnor.org> <http://www.marque-nf.com>; Phone: +33 (0)1.41.62.80.00, Fax: +33 (0)1.49.17.90.00, Email: certification@afnor.org