

CRE60

Circular E60S fire damper for surface and remote mounting



CE
0749



UK
CA








Table of content

Declaration of performance	3
Product presentation CRE60	4
Range and dimensions CRE60	4
Evolution - kits	5
Storage and handling	7
Installation	7
Installation in rigid wall and floor and in flexible wall (metal stud gypsum plasterboard wall)	8
Installation remote from the wall or floor	9
Operation and mechanisms	10
Electrical connection	14
Weights	16
Selection data	16
Sample order	16
Approvals and certificates	16

Explanation of the abbreviations and pictograms

Wn = nominal width	E.TELE = power supply magnet	Sn = free air passage
Hn = nominal height	E.ALIM = power supply motor	ζ [-] = pressure loss coefficient
Dn = nominal diameter	V = volt	Q = airflow
E = integrity	W = watt	ΔP = static pressure drop
I = thermal insulation	Auto = automatic	v = air speed in the duct
S = smoke leakage	Tele = remote controlled	Lwa = A-weighted sound power level
Pa = pascal	Pnom = nominal capacity	Lw oct = sound power level per octave midband
ve = vertical wall penetration	Pmax = maximum capacity	dB(A) = A-weighted decibel value
ho = horizontal floor penetration	GKB (type A) / GKF (type F): "GKB" stands for standard plasterboards (type A according to EN 520) while "GKF" plasterboards offer a higher fire resistance for a similar plate thickness (type F according to EN 520)	ΔL = correction factor
o -> i = meets the criteria from the outside (o) to the inside (i)	Cal-Sil = calcium silicate	
i <-> o = fire side not important	OP = option (delivered with the product)	
V AC = Volt alternating current	KIT = kit (delivered separately for repair or upgrade)	
V DC = Volt direct current	PG = connection flange to the duct	

	optimal acoustic performance		optimal free air passage and minimal pressure loss
	air-tightness class C according to EN1751		suitable for surface-mount in rigid wall, rigid floor and light wall (metal stud gypsum plasterboard wall)
	suitable for installation remote from the wall		

DECLARATION OF PERFORMANCE

UKCA DoP Rf-t C15 EN - B-01/04/2024



1. Unique identification code of the product-type: **CRE60**
2. Intended use/s: Circular fire damper to be used in conjunction with partitions to maintain fire compartments in heating, ventilating and air conditioning installations.
3. Manufacturer: RF-Technologies NV, Lange Ambachtstraat 40, B-9860 Oosterzele
4. System/s of AVCP: System 1
5. Designated standard / Approved body; certificate of constancy of performance: BS EN 15650:2010, BCCA with identification number 0749; 2822; UKCA-CPR-0056
6. Declared performance according to BS EN 15650:2010 (Fire resistance according to BS EN 1366-2 and classifications according to BS EN 13501-3)

Essential characteristics

Range	Type	Wall	Sealing	Installation	Performance Classification
Ø 100-630 mm	Rigid wall	Aerated concrete ≥ 100 mm	Stone wool ≥ 40 kg/m ³	1	E 60 (V _e i ↔ o) S - (300 Pa)
	Rigid floor	Aerated concrete ≥ 125 mm	Galvanised duct + stone wool ≥ 40 kg/m ³	2	E 60 (V _e i ↔ o) S - (300 Pa)
	Flexible wall	Metal studs/gypsum plasterboard Type A (EN 520) ≥ 100 mm	Stone wool ≥ 40 kg/m ³	1	E 60 (h _e i ↔ o) S - (300 Pa)
1	Type of installation: surface-mounted, 0-360° (300 Pa)	360°	2	Galvanised duct + stone wool ≥ 40 kg/m ³	E 60 (V _e i ↔ o) S - (300 Pa)
			2	Galvanised duct + stone wool ≥ 40 kg/m ³	E 60 (V _e i ↔ o) S - (300 Pa)
Type of installation: remote from the wall, 0-360°					
360°					

Designated standard
BS EN 15650:2010

Nominal activation conditions/sensitivity:	Pass
Response delay (response time): closure time	Pass
Operational reliability: cycling	ONE - 10000 cycles; BFN(T) - 10000 cycles; BFNT-SR - 20000 cycles
Durability of response delay:	Pass
Durability of operational reliability:	Pass
Protection against corrosion according to EN 60068-2-52:	Pass
Damper casing leakage according to EN 1751:	≥ Class C

The performance of the product identified above is in conformity with the set of declared performance/s. This declaration of performance is issued, in accordance with Regulation (EU) No 305/2011, under the sole responsibility of the manufacturer identified above.

Integrity (E)	60 minutes
Insulation (EI)	60 minutes
Smoke leakage (ES)	Pass
Mechanical stability (under E)	Pass
Maintenance of cross section (under E)	n/a

Signed for and on behalf of the manufacturer by:



Duchan Laplace, R&D Manager

Oosterzele, 01/04/2024

Product presentation CRE60

Product presentation CRE60

Circular "ES" fire damper with a fire resistance of 60 minutes, available in diameters from 100 to 630 mm. The CRE60 damper is suitable for both surface mounting and remote mounting, with or without duct insulation.

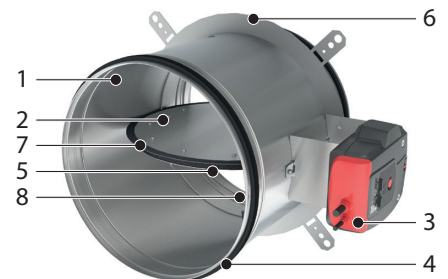
Fire dampers are installed where air ducts penetrate fire-resistant compartment walls. Their role is to restore the fire resistance grade of the penetrated wall and to prevent smoke propagation. Fire dampers are distinguished by their degree of fire resistance, by their aerodynamic properties as well as by their installation ease. Rf-Technologies' fire dampers are all CE marked. They can be equipped with various types of mechanisms depending on the specific needs linked to the project or to the local regulations.

- ☑ easy to install
- ☑ optimal free air passage and minimal pressure loss
- ☑ optimal acoustic performance
- ☑ air-tightness class C according to EN1751



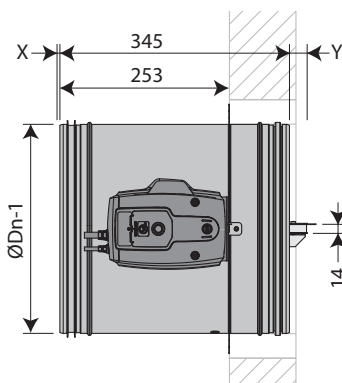
- suitable for surface-mount in rigid wall, rigid floor and light wall (metal stud gypsum plasterboard wall)
- suitable for installation remote from the wall
- tested according to EN 1366-2 up to 300 Pa
- operating mechanism mounted at 70 mm distance from the damper casing in order to facilitate isolation
- maintenance-free
- for indoor use
- operating temperature: max. 50°C
- P-marking

1. casing in galvanised steel
2. damper blade
3. operating mechanism
4. rubber sealing ring
5. intumescent strip
6. mounting ring for fixation to wall / ceiling
7. sealing ring for damper blade
8. fusible link



Range and dimensions CRE60

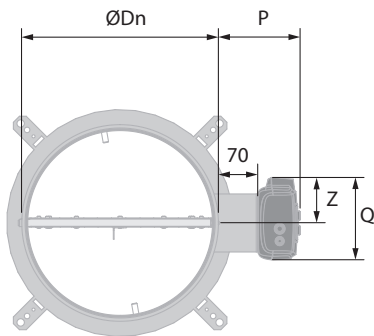
Exceeding blade: X = on the mechanism side, Y = on the wall side



ØDn (mm)	250	315	400	500	630
x	-	-	-	30	95
y	2	35	77	127	192

ØDn (mm)	100	125	160	200	250	315	400	500	630
----------	-----	-----	-----	-----	-----	-----	-----	-----	-----

CRE60 + ONE L



	ONE	BFN(T)
P	140	125
Q	136	98
Z	75	50

Evolution - kits

	KIT ONE T 24 FDCU L	Spring return actuator ONE 24V (with fusible link T) + unipolar beginning- and end-of-range switch
	KIT ONE T 24 FDCU ST L	Spring return actuator ONE 24V (with fusible link T) + unipolar beginning- and end-of-range switch + plug (ST)
	KIT ONE T 230 FDCU L	Spring return actuator ONE 230V (with fusible link T) + unipolar beginning- and end-of-range switch
	KIT ONE T 230 FDCU ST L	Spring return actuator ONE 230V (with fusible link T) + unipolar beginning- and end-of-range switch + plug (ST)
	KIT ONE-X 24 L	Spring return actuator ONE-X 24V (with extended fusible link T) with integrated communication module
	KIT ONE-X 230 L	Spring return actuator ONE-X 230V (with extended fusible link T) with integrated communication module
	KIT BFNT24	Spring return actuator BFN 24V with thermo-electric fuse (T)


KIT BFNT24-ST

Spring return actuator BFN 24V with thermo-electric fuse (T) and plug (ST)


KIT BFNT24-SR

Spring return actuator BFN 24V with thermo-electric fuse (T) and modulating function


KIT BFNT230

Spring return actuator BFN 230V with thermo-electric fuse (T)


KIT BFNT230-ST

Spring return actuator BFN 230V with thermo-electric fuse (T)


KIT SN2 BFL/BFN

Auxiliary limit switch 'open/closed'


KIT ZBAT 72

Black spare part for thermo-electric fuse for BFLT/BFNT


FUS72 ONE L

Fusible link 72°C


MECT

Testbox for mechanisms 24/48 V (magnet, motor, beginning and end of range switches)


KIT UG8

The UG8 optical smoke detector is a standalone unit for duct mounting. It samples air in the ventilation duct via the venturi-tube and analyses it in the housing situated outside of the duct. The UG8 is CE-marked product, certified according to EN54-27. It can be connected directly with a fire damper: in the event of smoke detection, the UG8 shuts off the power to the fire damper actuator and closes the damper. The UG8 is fitted with LEDs showing normal operation, smoke alarm, contamination and service alarms. The status can also be checked remotely via relay outputs.

Storage and handling

As this product is a safety element, it should be stored and handled with care.

Avoid:

- any kind of impact or damage
- contact with water
- deformation of the casing


It is recommended:

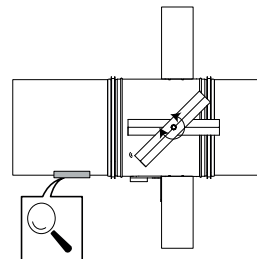
- to unload in a dry area
- not to flip or roll the product to move it
- not to use the damper as a scaffold, working table, etc.
- not to store smaller dampers inside larger ones

Installation

General points

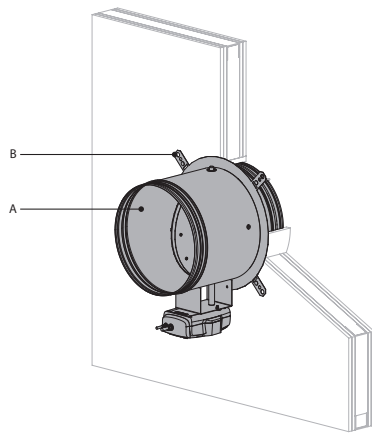
- The installation must comply with the installation manual and the classification report.
- Axis orientation: see the declaration of performance.
- Avoid obstruction of adjoining ducts.
- Product installation: always with closed damper blade.
- Verify if the blade can move freely.
- Please observe safety distances with respect to other construction elements. The operating mechanism must also remain accessible: allow for a clearance of 200 mm around the housing.
- The air tightness class will be maintained if the damper is installed according to the installation manual.
- Rf-t fire dampers are always tested in standardised constructions according to EN 1366-2. The achieved results are valid for similar supporting constructions with a fire resistance, thickness and density equal or superior to the supporting construction used during the test.
- If the wall thickness exceeds the minimum thickness specified in our installation instructions, the following conditions apply to the sealing depth:
 - For flexible walls and sandwich panel system walls, the seal must always be applied over the full depth of the wall.
 - With rigid walls, rigid floors and plaster block walls, the minimum sealing depth as indicated in our installation instructions (often equal to the minimum wall thickness) is sufficient. Apply the seal at the height of the damper blade (from the wall limit indication).
- When installing a fire damper in a flexible metal stud wall, some installation methods do not require reinforcing profiles around the wall opening from a fire protection point of view (see below). Always follow the general instructions of the manufacturer of these wall systems when building this type of wall.
- The damper must remain accessible for inspection and maintenance.
- Schedule at least 2 visual checks each year.

		TEST
2021	<input checked="" type="checkbox"/>	<input checked="" type="checkbox"/>
2022	<input checked="" type="checkbox"/>	<input type="checkbox"/>
2023	<input type="checkbox"/>	<input type="checkbox"/>
2024	<input type="checkbox"/>	<input type="checkbox"/>
2025	<input type="checkbox"/>	<input type="checkbox"/>



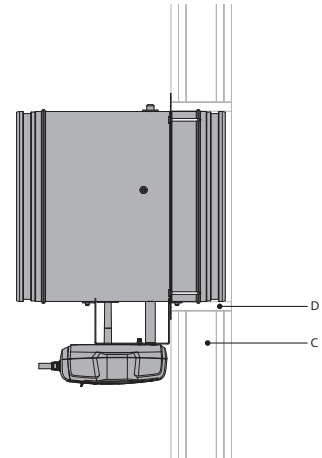
Installation in rigid wall and floor and in flexible wall (metal stud gypsum plasterboard wall)

1



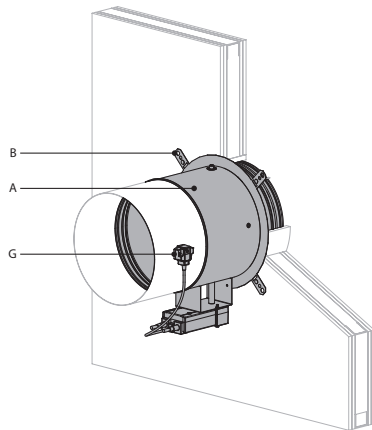
- A. CRE60 damper.
- B. Fixing lugs for surface-mounting on the wall or floor.

2



- C. Light partition wall (metal studs and gypsum plasterboard) or massive wall or floor with an opening of $D_n + 30$ mm.
- D. Compressed stone wool or other approved sealing material.

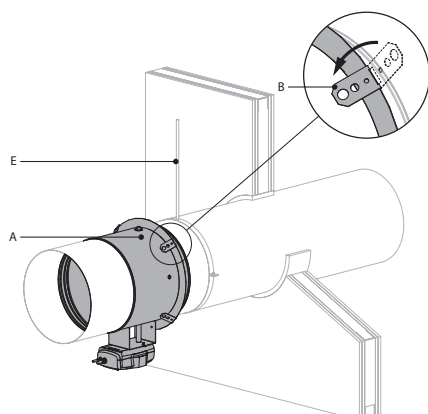
3



- A. CRE60 damper.
- B. Fixing lugs for surface-mounting on the wall or floor.
- G. For Belimo BFNT actuator: mount the thermo-electrical fuse on the duct on the mechanism side.

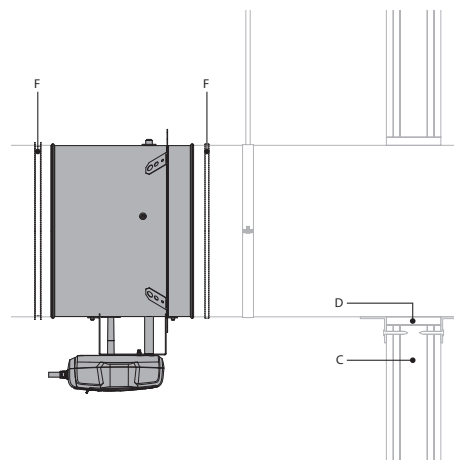
Installation remote from the wall or floor

1



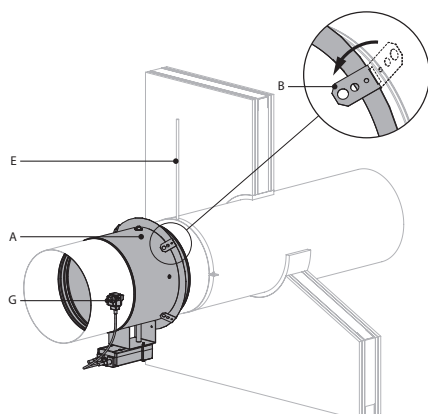
- A. CRE60 damper installed remotely from the supporting construction.
- B. Collapsible fixing lugs for surface-mounting on the wall or floor.
- E. Duct suspension according to local regulations.

2



- C. Light partition wall (metal studs and gypsum plasterboard) or massive wall or floor with an opening of $D_n + 60$ mm.
- D. Compressed stone wool or other approved sealing material.
- F. Approved fire retardant sealing kit (for example: Intumex AN).

3



- A. CRE60 damper installed remotely from the supporting construction.
- B. Collapsible fixing lugs for surface-mounting on the wall or floor.
- E. Duct suspension according to local regulations.
- G. For Belimo BFNT actuator: mount the thermo-electrical fuse on the duct on the mechanism side.

Maintenance

- No specific maintenance required.
- Schedule at least 2 visual checks each year.
- Remove dust and all other particles before use.
- Follow local maintenance regulations (i.e. BS9999 Annex V; NF S 61-933) and EN13306.
- Read the maintenance instructions on our website:
https://www.rft.eu/assets//PIM/DOCUMENTS/BROCHURE%20KITS/BRO_K139_MAINTENANCE_C.pdf
- Use the damper at up to 95% humidity, non-condensing.
- The fire damper can be cleaned with a dry or slightly damp cloth. It is forbidden to use abrasive cleaners or mechanical cleaning techniques (brush).

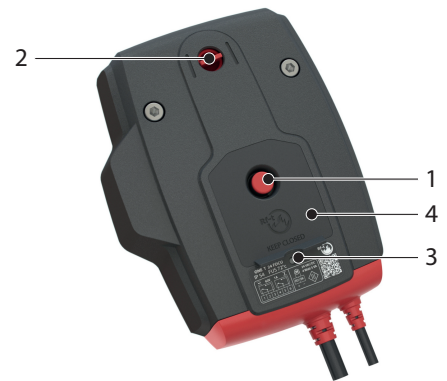
Operation and mechanisms



ONE Spring return actuator for remote control

The spring-return actuator ONE is designed to easily operate Rf-t fire dampers of all sizes, automatically or remotely. Six models are available, 24 or 230 volt, with FDCU or FDCB position switches; and optionally with plug (ST).

1. unlocking button
2. blade position indicator
3. LED
4. battery compartment to reset motor



Unlocking

- **manual unlocking:** shortly press the unlocking button (1) once.
- **automatic unlocking:** the fusible link reacts as soon as the temperature in the duct reaches 72°C.
- **remote unlocking:** by interrupting the power supply.

Resetting

- **manual resetting:** open the battery compartment (4) and press a 9V battery against the contact springs. Hold this position until the LED (3) emits a continuous light.
Check whether the indicator (2) shows that the damper blade is in the open position.
Remove the battery, the LED fades away.
Close the battery compartment.
- **motorised resetting:** switch off the power supply for at least 5 sec. Power the actuator (respect the prescribed voltage) for at least 75 sec. The resetting stops automatically when the end of range is reached (damper open).

Caution:

- ▲ If the LED (3) flickers fast (3x/sec.), the battery is discharged: use a new battery.
- ▲ If the LED (3) flickers slowly (1x/sec), the resetting is in progress.
- ▲ If the LED (3) is continuously on, the resetting is complete and the motor is powered.
- ▲ If the actuator detects voltage on the power cable, a brief contact of the battery is enough to start the resetting process.
- ▲ The power supply of this actuator cannot be individually replaced. If the cable is damaged, the whole unit must be discarded and replaced.
- ▲ The housing of the mechanism contains a temperature sensor. When the temperature in the housing exceeds 72°C, the mechanism unlocks. The LED flashes twice per second. When the temperature drops below 72°C, the mechanism can only be reset in a motorised manner after a manual reset (with a battery).
- ▲ The end of range switches need 1 second after operation to adopt a stable position.
- ▲ Make sure the thermal trigger device is present in the actuator. The actuator might not function properly if this is not the case.

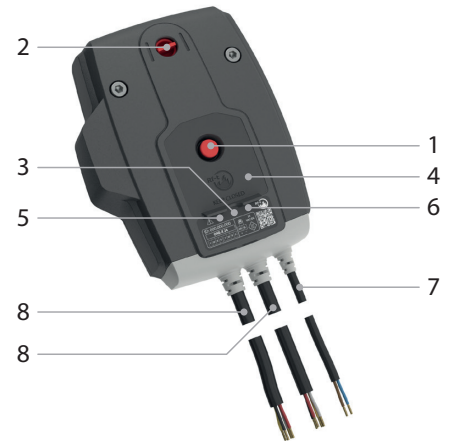
	prod. < 1/7/2015				prod. ≥ 1/7/2015			
	CR60(1s) CR120	CU-LT CU-LT-1s	CR2≤400 CU2≤1200	CR2>400 CU2>1200	CR60(1s) CR120(1s)	CU-LT CU-LT-1s	CR2≤400 CU2≤1200	CR2>400 CU2>1200
Kit ONE	●	●	●		●	●	●	●



ONE-X Spring return actuator with integrated communication module.

The ONE-X is a spring return actuator with integrated communication module designed to simply operate Rf-t fire dampers of all sizes, automatically or remotely. The ONE-X is available in two versions: 24 V and 230 V.

1. unlocking button
2. blade position indicator
3. LED red: status
4. battery compartment
5. LED blue: communication
6. LED orange: error message
7. supply
8. bus cable



Unlocking

- **manual unlocking:** shortly press the unlocking button (1) once.
- **automatic unlocking:** the fusible link reacts as soon as the temperature in the duct reaches 72°C.
- **remote unlocking:** via ZENiX controller

Resetting

- **manual resetting:** Open the battery compartment (4) and press a 9V battery against the contact springs. Hold this position until the red LED (3) emits a continuous light. Control whether the indicator (2) indicates that the damper blade is open. Remove the battery. Close the battery compartment.
- **motorised resetting:** via ZENiX controller. By applying voltage during first use.

Caution:

- ⚠ If the ONE-X detects voltage on the power cable, a brief contact of the battery is enough to start the resetting process, provided the ZENiX controller has sent the damper to open position or the ONE-X is being operated for the first time.
- ⚠ The power supply of this actuator cannot be individually replaced. If the cable is damaged, the whole unit must be discarded and replaced.
- ⚠ The housing of the mechanism contains a temperature sensor. When the temperature in the housing exceeds 72°C, the mechanism unlocks. The LED flashes twice per second. When the temperature drops below 72°C, the mechanism can only be reset in a motorised manner after a manual reset (with a battery).
- ⚠ The end of range switches need 1 second after operation to adopt a stable position.

Safety regulations:

- ⚠ Do not use the ONE-X for any application other than the specified applications, in particular not in aircraft or other airborne vehicles.
- ⚠ The company that purchases and/or installs the ONE-X is fully responsible for the correct operation of the entire system. Only authorised specialists may perform the installation. All rules and regulations, including statutory regulations, must be observed during installation.
- ⚠ This device contains electrical or electronic components and must not be disposed of as household waste. All locally applicable regulations and requirements must be strictly observed.



BFN(T) Remotely controlled spring return actuator

The spring return actuator BFN(T) is especially designed to operate fire dampers remotely. The BFN(T) variant is intended for fire dampers with large dimensions (CRE60, CR2 with $\varnothing > 400$ mm, CRS60 with $\varnothing > 315$ mm or CU2, CU2-15, CU4 with B+H > 1200 mm. For Markage FD with H of 400 and 600 mm or with H = 1200 mm (2 pcs) and with H = 2400 mm (in combination with BFT motor).

1. locking button
2. plug (ST)
3. access for manual resetting
4. thermo-electric tripping device (T)



Options - at the time of order

SN2 BFL/BFN Auxiliary limit switch 'open/closed'

Unlocking

- **manual unlocking:** place the locking button on "unlock". (In case of BFNT: the damper can alternatively be unlocked by pushing the "test" button on the thermo-electric fuse)
- **automatic unlocking:** the thermo-electric fuse reacts as soon as the temperature reaches 72°C (type BFNT).
- **remote unlocking:** by interrupting the power supply.

Caution:

- ⚠ The thermo-electric fuse will not move the damper into its safety position (when the temperature reaches 72°C) if the motor is not powered.

Resetting

- **manual resetting:** turn the enclosed handle anti-clockwise. To block the motor, place the locking button on "lock"
- **motorised resetting:** switch off the power supply for at least 10 seconds. Supply the actuator (respect the prescribed voltage) for at least 75 seconds. The resetting stops automatically when the end of range is reached (damper open) - it takes about 60 seconds to reset the damper - or when the power supply is interrupted.

Caution:

- ⚠ Do not use a drill or powered screwdriver.
- ⚠ Stop as soon as the motor is completely rearmed (end of range).

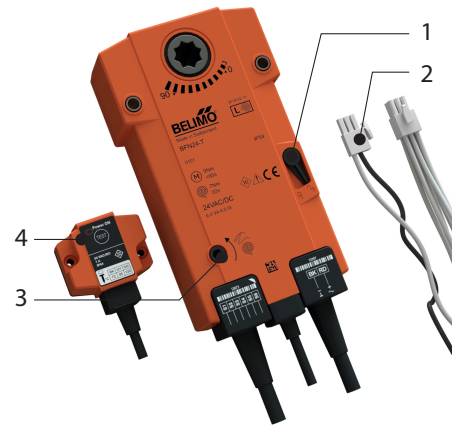
	prod. < 1/7/2015				prod. ≥ 1/7/2015			
	CR60(1s) CR120	CU-LT CU-LT-1S	CR2≤400 CU2≤1200	CR2>400 CU2>1200	CR60(1s) CR120 (1s)	CU-LT CU-LT-1S	CR2≤400 CU2≤1200	CR2>400 CU2>1200
Kit BFL					•	•	•	
Kit BFN	•	•	•					•
Kit BF				•				



BFNT-SR Remote-controlled spring return actuator with modulating function

The spring return actuator BFNT24-SR is designed to operate fire dampers remotely. The position of the damper blade is adjustable by means of a 0 to 10V connection. Available for: CRE60 and CRS60 (CRS60 $\varnothing \geq 400$ mm).

1. locking button
2. access for manual resetting
3. thermo-electric tripping device (T)



Unlocking

- **manual unlocking:** place the locking button on “unlock”. The damper can alternatively be unlocked by pushing the “test” button on the thermo-electric fuse.
- **automatic unlocking:** the thermo-electric fuse reacts as soon as the temperature reaches 72°C.
- **remote unlocking:** by interrupting the power supply.

Caution:

- ⚠ The thermo-electric fuse will not move the damper into its safety position (when the temperature reaches 72°C) if the motor is not powered.

Resetting

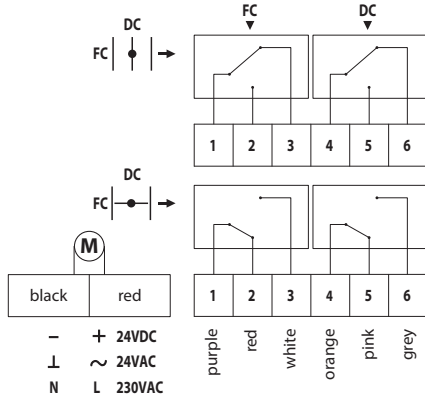
- **manual resetting:** turn the enclosed handle anti-clockwise. To block the motor, place the locking button on “lock”
- **motorised resetting:** switch off the power supply for at least 10 sec. Supply the actuator (line 1 and line 2; respect the indicated voltage) for min 75 sec. Apply a control voltage between 0 V and 10 V to line 3 and line 1 (0 V = closed, 10 V = fully open; respect the indicated voltage). The movement of the motor stops automatically on reaching the entered position. It takes about 60 sec to fully arm the damper.

Caution:

- ⚠ Do not use a drill or powered screwdriver.
- ⚠ Stop as soon as the motor is completely rearmed (end of range).

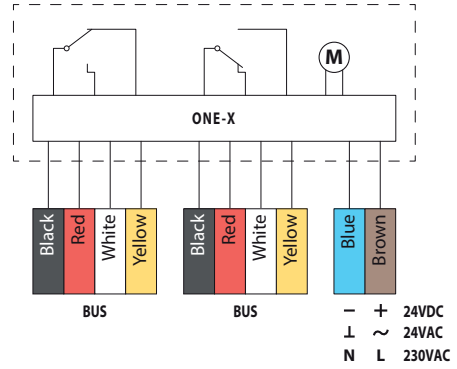
Electrical connection

ONE

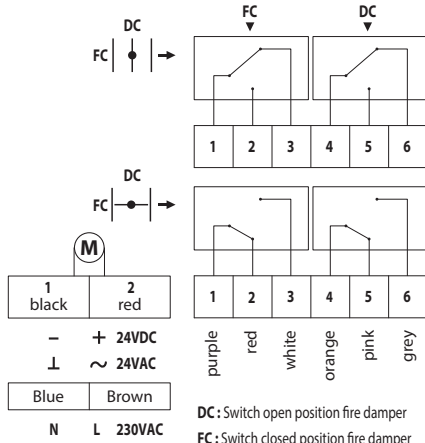


DC: Switch open position fire damper
 FC: Switch closed position fire damper

ONE-X

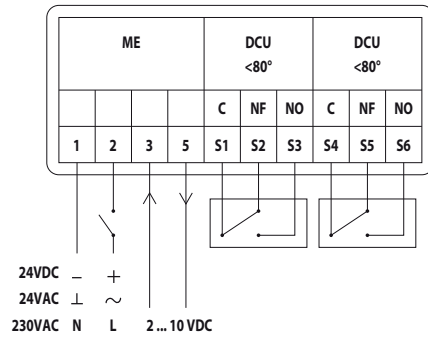


BFN(T)



DC: Switch open position fire damper
 FC: Switch closed position fire damper

BFNT-SR



MEC	Nominal voltage motor	Nominal voltage magnet	Power consumption (stand-by)	Power consumption (operating)	Standard switches	Resetting time motor
ONET 24 FDCU L	24 V AC/DC (-10/+20%)	N/A	0,28 W	4,2 W	1mA...1A 60V	< 75 s (cabled) / <85 s (battery)
ONET 24 FDCU ST L	24 V AC/DC (-10/+20%)	N/A	0,28 W	4,2 W	1mA...1A 60V	< 75 s (cabled) / <85 s (battery)
ONET 230 FDCU L	230 V AC (-15/+15%)	N/A	0,57 W	4,2 W	1mA...100mA 230V	< 75 s (cabled) / <85 s (battery)
ONET 230 FDCU ST L	230 V AC (-15/+15%)	N/A	0,57 W	4,2 W	1mA...100mA 230V	< 75 s (cabled) / <85 s (battery)
ONE-X 24 L	24 V AC/DC (-10/+20%)	N/A	0,28 W	4,2 W		< 75 s (cabled) / <85 s (battery)
ONE-X 230 L	230 V AC (-15/+15%)	N/A	0,57 W	4,2 W		< 75 s (cabled) / <85 s (battery)
BFNT24	24 V AC/DC	N/A	1,4 W	4 W	1mA...3A, AC 250V	< 60 s
BFNT24-ST	24 V AC/DC	N/A	1,4 W	4 W	1mA...3A, AC 250V	< 60 s
BFNT230	230 V AC	N/A	2,1 W	5 W	1mA...3A, AC 250V	< 60 s
BFNT230-ST	230 V AC	N/A	2,1 W	5 W	1mA...3A, AC 250V	< 60 s
BFNT24-SR	24 V AC/DC	N/A	1,7 W	4,5 W	1mA...3A, AC 250V	< 60 s

MEC	Running time spring	Noise level motor	Noise level spring	Cable supply / control	Cable auxiliary switch	Protection class
ONET 24 FDCU L	< 30 s	< 64 dB (A)	< 67 dB (A)	1 m, 2 x 0.75 mm ² (halogen-free)	1 m, 6 x 0.75 mm ² (halogen-free)	IP 54
ONET 24 FDCU ST L	< 30 s	< 64 dB (A)	< 67 dB (A)	1 m, 2 x 0.75 mm ² (halogen-free)	1 m, 6 x 0.75 mm ² (halogen-free)	IP 54
ONET 230 FDCU L	< 30 s	< 64 dB (A)	< 67 dB (A)	1 m, 2 x 0.75 mm ² (halogen-free)	1 m, 6 x 0.75 mm ² (halogen-free)	IP 54
ONET 230 FDCU ST L	< 30 s	< 64 dB (A)	< 67 dB (A)	1 m, 2 x 0.75 mm ² (halogen-free)	1 m, 6 x 0.75 mm ² (halogen-free)	IP 54
ONE-X 24 L	< 30 s	< 64 dB (A)	< 67 dB (A)	1 m, 2 x 0.75 mm ² (halogen-free)	bus cable: (2x) 1 m, 4 x 0,75 mm ² (halogen-free)	IP 54
ONE-X 230 L	< 30 s	< 64 dB (A)	< 67 dB (A)	1 m, 2 x 0.75 mm ² (halogen-free)	bus cable: (2x) 1 m, 4 x 0,75 mm ² (halogen-free)	IP 54
BFNT24	20 s	≤ 55 dB (A)	ca. 67 dB (A)	1 m, 2 x 0.75 mm ² (halogen-free)	1 m, 6 x 0.75 mm ² (halogen-free)	IP 54
BFNT24-ST	20 s	≤ 55 dB (A)	ca. 67 dB (A)	1 m, 2 x 0.75 mm ² (halogen-free)	1 m, 6 x 0.75 mm ² (halogen-free)	IP 54
BFNT230	20 s	≤ 55 dB (A)	ca. 67 dB (A)	1 m, 2 x 0.75 mm ² (halogen-free)	1 m, 6 x 0.75 mm ² (halogen-free)	IP 54
BFNT230-ST	20 s	≤ 55 dB (A)	ca. 67 dB (A)	1 m, 2 x 0.75 mm ² (halogen-free)	1 m, 6 x 0.75 mm ² (halogen-free)	IP 54
BFNT24-SR	20 s	< 55 dB (A)	< 67 dB (A)	1 m, 4 x 0.75 mm ² (halogen-free)	1 m, 6 x 0.75 mm ² (halogen-free)	IP 54

Weights

CRE60 + ONE

ØDn [mm]	100	125	160	200	250	315	400	500	630
kg	4,7	4,7	5,4	6,2	7,2	8,3	9,6	12,4	15,6

CRE60 + ONE-X

ØDn [mm]	100	125	160	200	250	315	400	500	630
kg	4,7	4,7	5,4	6,2	7,2	8,3	9,6	12,4	15,6

CRE60 + BFNT

ØDn [mm]	100	125	160	200	250	315	400	500	630
kg	4,6	4,6	5,3	6,1	7,1	8,2	9,5	12,3	15,5

Selection data

$$\Delta p \text{ (Pa)} = 0,6 \times v^2 \times \zeta$$

ØDn [mm]	100	125	160	200	250	315	400	500	630
ζ [-]	0,9559	0,5551	0,328	0,2812	0,1908	0,1597	0,1274	0,1078	0,0932

CRE60 - A-weighted sound power level L_{wa} in the duct

ØDn [mm]	100	125	160	200	250	315	400	500	630	
S _n [m ²]	0,0061	0,0101	0,0174	0,0281	0,0450	0,0728	0,1184	0,1875	0,3002	
S _n [%]	77,00	82,00	86,00	89,00	92,00	93,00	94,00	95,00	96,00	
Q [m ³ /h]	344	653	1.160	1.850	2.665	4.108	5.881	8.546	11.503	60 dB
Δp [Pa]	84,40	71,97	50,14	44,80	26,09	20,51	13,11	9,45	5,86	
Q [m ³ /h]	225	429	775	1.228	1.847	2.898	4.289	6.136	8.269	50 dB
Δp [Pa]	37,30	32,30	23,04	20,40	12,51	10,32	6,57	4,84	3,05	
Q [m ³ /h]	148	279	507	814	1.292	2.045	3.026	4.361	5.944	40 dB
Δp [Pa]	16,50	14,40	10,51	9,30	5,95	5,00	3,27	2,46	1,60	
Q [m ³ /h]	96	177	337	540	898	1.444	2.104	3.018	4.273	30 dB
Δp [Pa]	7,30	6,45	4,79	4,20	2,81	2,50	1,60	1,22	0,80	

Every air flow lower than the above mentioned maximum value, will meet the listed A-weighted sound power level for the respective dimension.

Sample order

CRE60 200 ONE T 24 FDCU L

1

2

3

1. product
2. diameter
3. mechanism type

Approvals and certificates

All our dampers are submitted to a number of tests by official test institutes. Reports of these tests form the basis for the approvals of our dampers.

CE
0749

BCCA-0749-CPR-BC1-606-0464-15650.10-2517



RI.SE SC0813-18

UK
CA

2822-UKCA-CPR-0056