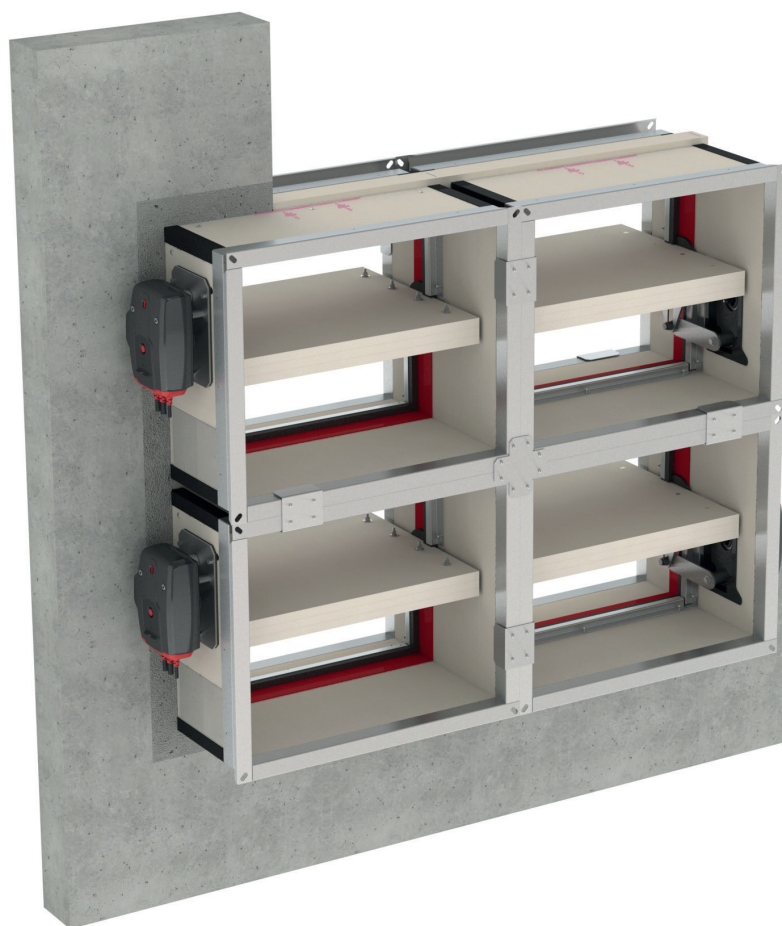


CU2/B

Battery assembly of max. 4 individual dampers



CE
0749



UK
CA






Table of content

Declaration of performance	3
Product presentation CU2/B	4
Range and dimensions CU2/B	4
Variant CU2/B-L500	5
Range and dimensions CU2/B-L500	5
Evolution - kits	6
Options - at the time of order	9
Flange types - at the time of order	9
Storage and handling	10
Installation	10
Installation at a minimal distance from another damper or from an adjacent supporting construction	11
Installation in rigid wall	12
Operation and mechanisms	14
Electrical connection	19
Weights	21
Sample order	28
Approvals and certificates	28

Explanation of the abbreviations and pictograms

Wn = nominal width	E.TELE = power supply magnet	Sn = free air passage
Hn = nominal height	E.ALIM = power supply motor	ζ [-] = pressure loss coefficient
Dn = nominal diameter	V = volt	Q = airflow
E = integrity	W = watt	ΔP = static pressure drop
I = thermal insulation	Auto = automatic	v = air speed in the duct
S = smoke leakage	Tele = remote controlled	Lwa = A-weighted sound power level
Pa = pascal	Pnom = nominal capacity	Lw oct = sound power level per octave midband
ve = vertical wall penetration	Pmax = maximum capacity	dB(A) = A-weighted decibel value
ho = horizontal floor penetration	GKB (type A) / GKF (type F): "GKB"	ΔL = correction factor
o -> i = meets the criteria from the outside (o) to the inside (i)	stands for standard plasterboards (type A according to EN 520) while "GKF"	
i <-> o = fire side not important	plasterboards offer a higher fire resistance for a similar plate thickness (type F according to EN 520)	
V AC = Volt alternating current	Cal-Sil = calcium silicate	
V DC = Volt direct current	OP = option (delivered with the product)	
	KIT = kit (delivered separately for repair or upgrade)	
	PG = connection flange to the duct	

	battery assembly tested in rigid wall		suitable for built-in installation
	intermediate dimensions on request		

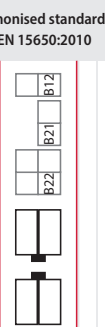
DECLARATION OF PERFORMANCE

CE_DoP_Rf-t_G31_EN - G-01/01/2024

1. Unique identification code of the product-type:	CUZ/B		
2. Intended use/s:	Rectangular fire damper to be used in conjunction with partitions to maintain fire compartments in heating, ventilating and air conditioning installations.		
3. Manufacturer:	Rf-Technologies NV, Lange Ambachtstraat 40, B-9860 Oosterzele		
4. System/s of AVCP:	System 1		
5. Harmonised standard / European Assessment Document; notified body / European Technical Assessment, Technical Assessment Body, notified body; certificate of constancy of performance:	EN 15650:2010, BCCA with identification number 0749; BCCA-0749-CPR-BCT-606-0464-15650.03-0464&2517		
6. Declared performance according to EN 15650:2010	(Fire resistance according to EN 1366-2 and classifications according to EN 13501-3)		

Range	Type	Wall	Sealing	Installation	Performance	
					Classification	Performance
CUZ/B ≤ 4 x CUZ (200x200 mm ≤ CUZ ≤ 1200x800 mm)	Rigid wall	Reinforced concrete ≥ 110 mm	Mortar	1	EI 120 (V _e , i ↔ o) S - (500 Pa)	
CUZ/B ≤ 4 x CUZ (200x200 mm ≤ CUZ ≤ 1500x800 mm)	Rigid wall	Reinforced concrete ≥ 110 mm	Mortar	1	EI 60 (V _e , i ↔ o) S - (500 Pa)	
				1	EI 120 (V _e , i ↔ o) S - (300 Pa)	

1 Type of installation: built-in 0/180° (B22, B21, B12)



Nominal activation conditions/sensitivity:	Pass
Response delay (response time): closure time	Pass
Operational reliability: cycling	CFTH - 50 cycles; MANO - 300 cycles; BL(F)(T) - 10000 cycles; BFL(T) - 10000 cycles; BFN(T) - 10000 cycles; ONE - 10000 cycles; ONE-X - 10000 cycles; UNIQ - 10000 cycles
Durability of response delay:	Pass
Durability of operational reliability:	Pass
Protection against corrosion according to EN 60068-2-52:	Pass
Damper casing leakage according to EN 1751:	≥ class B

The performance of the product, identified above is in conformity with the set of declared performance/s. This declaration of performance is issued, in accordance with Regulation (EU) No 305/2011, under the sole responsibility of the manufacturer identified above.

Signed for and on behalf of the manufacturer by:
Frank Verlinden, Head of Product Management

Oosterzele, 01/01/2024



Product presentation CU2/B

Product presentation CU2/B

The CU2/B damper is a battery assembly of several CU2 dampers with maximum 4 individual dampers (B12, B21 or B22) and with a fire resistance up to 120 minutes. The CU2/B battery assembly is the ideal solution for installations with large dimensions.

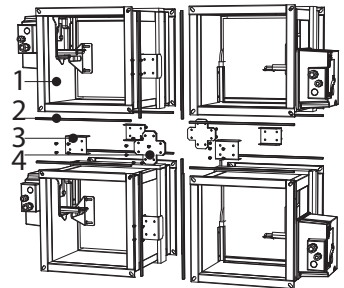
Fire dampers are installed where air ducts penetrate fire-resistant compartment walls. Their role is to restore the fire resistance grade of the penetrated wall and to prevent smoke propagation. Fire dampers are distinguished by their degree of fire resistance, by their aerulic properties as well as by their installation ease. Rf-Technologies' fire dampers are all CE marked. They can be equipped with various types of mechanisms depending on the specific needs linked to the project or to the local regulations.

- ☑ large dimensions
- ☑ battery assembly tested in rigid wall



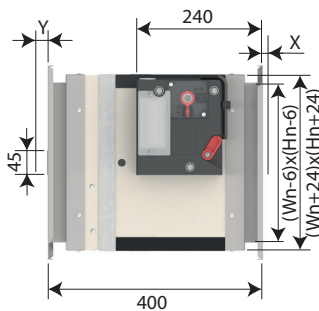
- tested according to EN 1366-2 up to 500 Pa
- suitable for installation in rigid wall
- maintenance-free
- for indoor use
- suitable for built-in installation
- intermediate dimensions on request

1. individual damper with PG25 flange and connection pieces in Promatect
2. EPDM foam
3. connection piece
4. central plate (B22)



Range and dimensions CU2/B

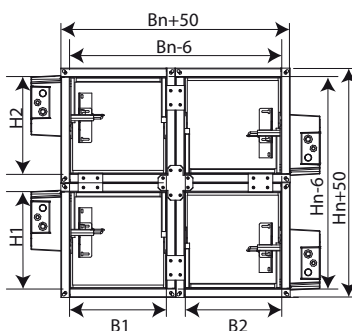
Exceeding blade: X = on the mechanism side, Y = on the wall side



Hn (mm)	300	350	400	450	500	550	600	650	700	750	800
x	-	-	-	-	-	1	26	51	76	101	126
y	2	27	52	77	102	127	152	177	202	227	252

	≥	≤
(W x H) mm	200x200	1500x800

Possibilities: B12, B21, B22 (number of dampers in width / number of dampers in height)



Width:

B multiple of 100: $B1 = (Bn-100)/2$, $B2 = Bn/2$;
 B ending with 50: $B1 = B2 = (Bn-50)/2$.

Height:

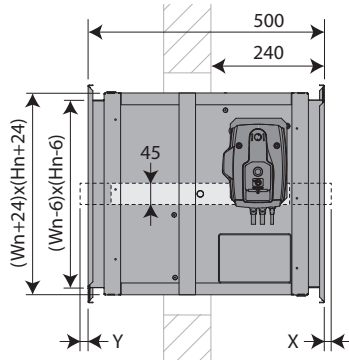
H multiple of 100: $H1 = (Hn-100)/2$, $H2 = Hn/2$;
 H ending with 50: $H1 = H2 = (Hn-50)/2$.

Variant CU2/B-L500

The CU2/B-L500 damper is a battery assembly of several CU2-L500 dampers with maximum 4 individual dampers (B12, B21 or B22). This version ensures that the damper blade doesn't exceed the casing at the wall side (up to a height of 500 mm).

Range and dimensions CU2/B-L500

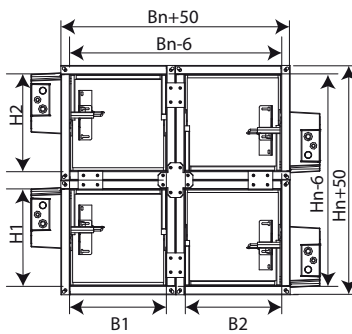
Wn/Hn in steps of 50 mm; intermediate dimensions are subject to extra cost (heights between ≥ 275 and ≤ 299 mm are not possible). Exceeding blade: X = on the mechanism side, Y = on the wall side



Hn (mm)	500	550	600	650	700	750	800
x	-	1	26	51	76	101	126
y	2	27	52	77	102	127	152

	IV	≤
(W x H) mm	200x200	1500x800

Possibilities: B12, B21, B22 (number of dampers in width / number of dampers in height)



Width:

B multiple of 100: $B1 = (Bn-100)/2$, $B2 = Bn/2$;

B ending with 50: $B1 = B2 = (Bn-50)/2$.



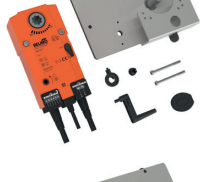
Height:

H multiple of 100: $H1 = (Hn-100)/2$, $H2 = Hn/2$;

H ending with 50: $H1 = H2 = (Hn-50)/2$.

Evolution - kits

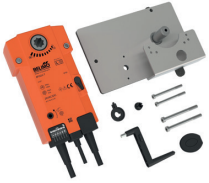
	KIT ONE T 24 FDCB	Spring return actuator ONE 24V (with fusible link T) + bipolar beginning- and end-of-range switch
	KIT ONE T 24 FDCU	Spring return actuator ONE 24V (with fusible link T) + unipolar beginning- and end-of-range switch
	KIT ONE T 24 FDCU ST	Spring return actuator ONE 24V (with fusible link T) + unipolar beginning- and end-of-range switch + plug (ST)
	KIT ONE T 230 FDCB	Spring return actuator ONE 230V (with fusible link T) + bipolar beginning- and end-of-range switch
	KIT ONE T 230 FDCU	Spring return actuator ONE 230V (with fusible link T) + unipolar beginning- and end-of-range switch
	KIT ONE T 230 FDCU ST	Spring return actuator ONE 230V (with fusible link T) + unipolar beginning- and end-of-range switch + plug (ST)
	KIT ONE-X 24	Spring return actuator ONE-X 24V (with fusible link T)
	KIT ONE-X 230	Spring return actuator ONE-X 230V (with fusible link T)
	KIT CFTH	Automatic unlocking mechanism CFTH with FCU and without FTH 72

	KIT BFL24	Spring return actuator BFL 24V
	KIT BFL24-ST	Spring return actuator BFL 24V with plug (ST)
	KIT BFL230	Spring return actuator BFL 230V
	KIT BFLT24	Spring return actuator BFL 24V with thermo-electric fuse (T)
	KIT BFLT24-ST	Spring return actuator BFL 24V with thermo-electric fuse (T) and plug (ST)
	KIT BFLT230	Spring return actuator BFL 230V with thermo-electric fuse (T)
	KIT BFLT230-ST	Spring return actuator BFL 230V with thermo-electric fuse (T)
	KIT BFN24	Spring return actuator BFN 24V
	KIT BFN24-ST	Spring return actuator BFN 24V with plug (ST)



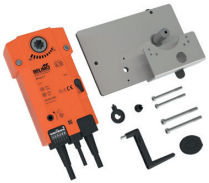
KIT BFN24

Spring return actuator BFN 24V (BFN kits must be used instead of BFL kits for fire dampers produced before 1/7/2015)



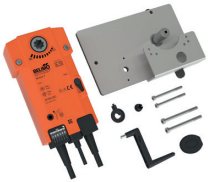
KIT BFN230

Spring return actuator BFN 230V



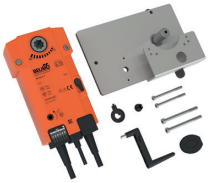
KIT BFNT24

Spring return actuator BFN 24V with thermo-electric fuse (T)



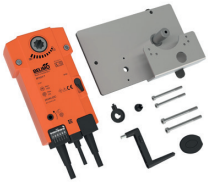
KIT BFNT24-ST

Spring return actuator BFN 24V with thermo-electric fuse (T) and plug (ST)



KIT BFNT230

Spring return actuator BFN 230V with thermo-electric fuse (T)



KIT BFNT230-ST

Spring return actuator BFN 230V with thermo-electric fuse (T)



KIT BF24

Spring return actuator BF 24V (BF kits must be used instead of BFN kits for fire dampers produced before 1/7/2015)



KIT FDC CFTH

1 limit switch (FCU/DCU/FCB/DCB)



KIT SN2 BFL/BFN

Auxiliary limit switch 'open/closed'

**KIT FTH72**

Fusible link FTH 72°C (for CFTH)

**KIT ZBAT 72**

Black spare part for thermo-electric fuse for BFLT/BFNT

**FUS72 ONE**

Fusible link 72°C

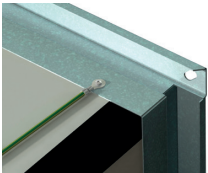
**MECT**

Testbox for mechanisms 24/48 V (magnet, motor, beginning and end of range switches)

**KITS EQ**

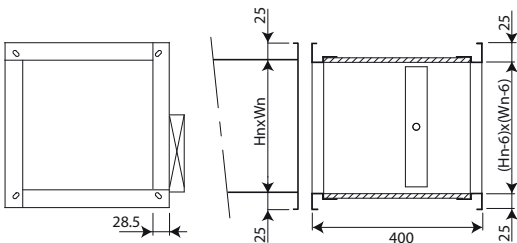
Kit equipotential connection (per set of 5 pieces)

Options - at the time of order

**EQ**

Equipotential connection

Flange types - at the time of order

**PG25**Connection to ducts with 20 and 30 mm flanges (with bolts).
Elliptical holes \emptyset 8,5 x 16 mm.

Storage and handling

Storage and handling

As this product is a safety element, it should be stored and handled with care.

Avoid:

- any kind of impact or damage
- contact with water
- deformation of the casing

It is recommended:

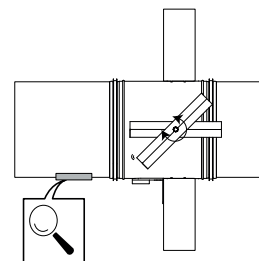
- to unload in a dry area
- not to flip or roll the product to move it
- not to use the damper as a scaffold, working table, etc.
- not to store smaller dampers inside larger ones

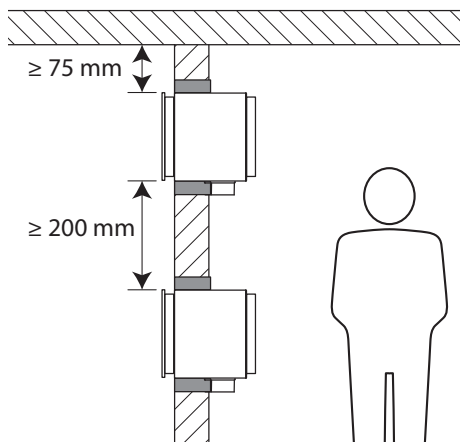
Installation

General points

- The installation must comply with the installation manual and the classification report.
- Axis orientation: see the declaration of performance.
- Avoid obstruction of adjoining ducts.
- Product installation: always with closed damper blade.
- Verify if the blade can move freely.
- Please observe safety distances with respect to other construction elements. The operating mechanism must also remain accessible: allow for a clearance of 200 mm around the housing.
- The air tightness class will be maintained if the damper is installed according to the installation manual.
- Rf-t fire dampers are always tested in standardised constructions according to EN 1366-2. The achieved results are valid for similar supporting constructions with a fire resistance, thickness and density equal or superior to the supporting construction used during the test.
- If the wall thickness exceeds the minimum thickness specified in our installation instructions, the following conditions apply to the sealing depth:
 - For flexible walls and sandwich panel system walls, the seal must always be applied over the full depth of the wall.
 - With rigid walls, rigid floors and plaster block walls, the minimum sealing depth as indicated in our installation instructions (often equal to the minimum wall thickness) is sufficient. Apply the seal at the height of the damper blade (from the wall limit indication).
- When installing a fire damper in a flexible metal stud wall, some installation methods do not require reinforcing profiles around the wall opening from a fire protection point of view (see below). Always follow the general instructions of the manufacturer of these wall systems when building this type of wall.
- The damper must remain accessible for inspection and maintenance.
- Schedule at least 2 visual checks each year.

	TEST	
2021	<input checked="" type="checkbox"/>	<input checked="" type="checkbox"/>
2022	<input checked="" type="checkbox"/>	<input type="checkbox"/>
2023	<input type="checkbox"/>	<input type="checkbox"/>
2024	<input type="checkbox"/>	<input type="checkbox"/>
2025	<input type="checkbox"/>	<input type="checkbox"/>



Installation at a minimal distance from another damper or from an adjacent supporting construction**1****1. Principle**

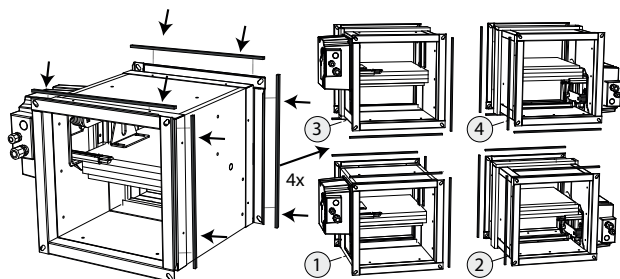
According to the European test standard, a fire damper must be installed at a minimum distance of 75 mm from an adjacent wall and 200 mm from another damper, unless the solution was tested at a shorter distance.

Installation in rigid wall

The product was tested and approved in:

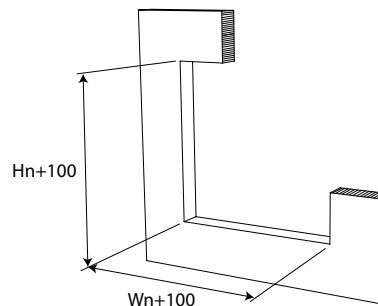
Range	Wall type		Sealing	Classification
CU2/B ≤ 4 x CU2 (200x200 mm ≤ CU2 ≤ 1200x800 mm)	Rigid wall	Reinforced concrete ≥ 110 mm	Mortar	El 120 (v _e i ↔ o) S - (500 Pa)
CU2/B ≤ 4 x CU2 (200x200 mm ≤ CU2 ≤ 1500x800 mm)	Rigid wall	Reinforced concrete ≥ 110 mm	Mortar	El 60 (v _e i ↔ o) S - (500 Pa)
CU2/B ≤ 4 x CU2 (200x200 mm ≤ CU2 ≤ 1500x800 mm)	Rigid wall	Reinforced concrete ≥ 110 mm	Mortar	El 120 (v _e i ↔ o) S - (300 Pa)

1



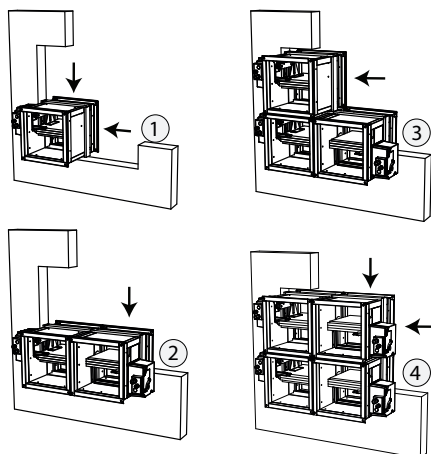
1. Cut the delivered EPDM foam to the correct sizes. Stick it on the edges of the individual dampers' flanges as illustrated (i.e. the sides that connect with other individual dampers).

2



2. Provide in the wall an installation opening of minimum (Hn+100) mm x (Wn+100) mm

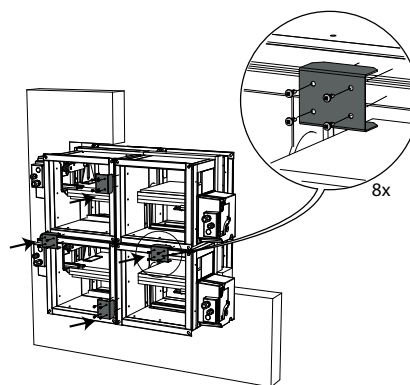
3



3. Mount the first individual damper in the opening. Mount the following dampers in the opening. Every individual damper needs to exceed the wall by 240 mm on the side of the mechanism.

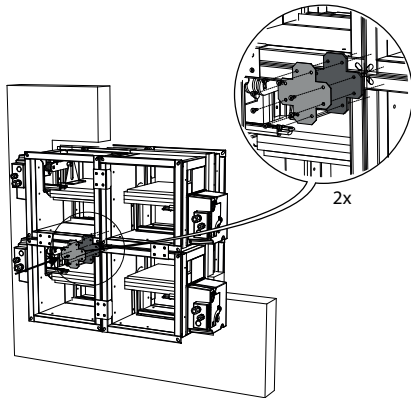
As the mechanism needs to be accessible at all times, you need to provide a free working space of min. 200 mm. If the mechanism is not accessible you need to provide an inspection shutter (e.g. false ceiling).

4



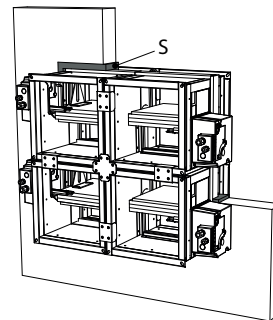
4. Fix the connection pieces with 4 self drilling screws on the front and back side of the individual dampers.

5



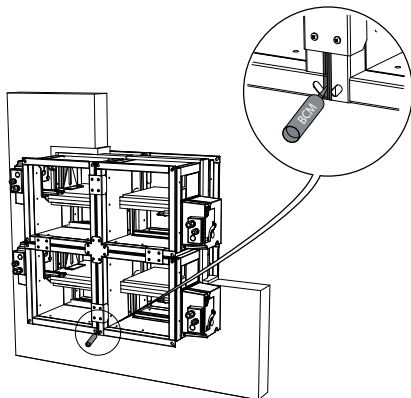
5. For a battery assembly B22: fix the center plate with 8 self drilling screws at the front and back sides of the battery assembly.

6



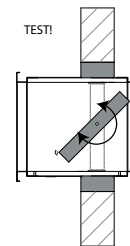
6. The joint S between the damper and the wall needs to be filled along the whole width of the wall with a standard concrete mortar.

7



7. Support the body and block the damper blade in its closed position to prevent deformation of the body during the drying process of the sealing.
Check for openings in between the individual dampers.
Seal the openings with adhesive BCM.
Run a test on the mechanisms of the fire dampers.

8



8. Check the functioning of the damper blades.

Maintenance

- No specific maintenance required.
- Schedule at least 2 visual checks each year.
- Remove dust and all other particles before use.
- Follow local maintenance regulations (i.e. BS9999 Annex V; NF S 61-933) and EN13306.
- Read the maintenance instructions on our website:
https://www.rft.eu/assets//PIM/DOCUMENTS/BROCHURE%20KITS/BRO_K139_MAINTENANCE_C.pdf
- Use the damper at up to 95% humidity, non-condensing.
- The fire damper can be cleaned with a dry or slightly damp cloth. It is forbidden to use abrasive cleaners or mechanical cleaning techniques (brush).

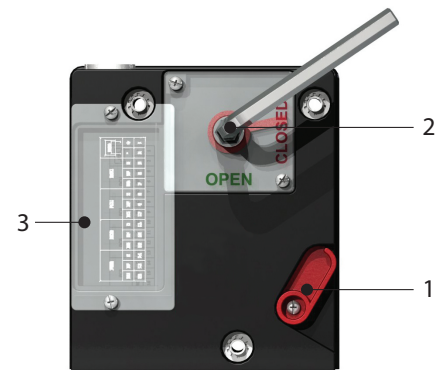
Operation and mechanisms



CFTH Mechanism with fusible link

The unlocking mechanism CFTH automatically unlatches the damper blade when the temperature in the duct rises above 72°C. The damper can also be unlocked and reset manually.

1. unlocking button
2. resetting handle
3. cable entrance



Options - at the time of order

FCU	Limit switch 'closed'
FDCU	Unipolar limit switch 'open/closed'
FDCB	Bipolar auxiliary limit switch 'open/closed'

Unlocking

- **manual unlocking:** use the unlocking button (1).
- **automatic unlocking:** when the fusible link melts at 72° C.
- **remote unlocking:** n/a

Resetting

- **manual resetting:** use the enclosed Hex key and turn clockwise(2).
- **motorised resetting:** n/a

Caution:

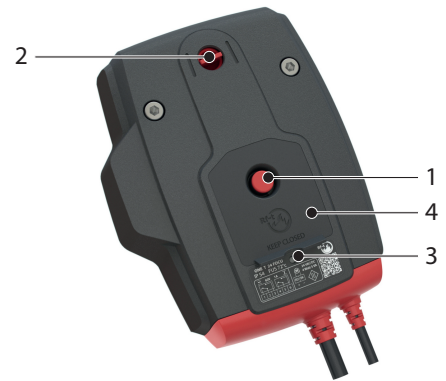
- ▲ The mechanism may never be tested on its own, without being attached to the damper. Such a test might damage the mechanism or the operator might be injured.



ONE Spring return actuator for remote control

The spring-return actuator ONE is designed to easily operate Rf-t fire dampers of all sizes, automatically or remotely. Six models are available, 24 or 230 volt, with FDCU or FDCB position switches; and optionally with plug (ST).

1. unlocking button
2. blade position indicator
3. LED
4. battery compartment to reset motor



Unlocking

- **manual unlocking:** shortly press the unlocking button (1) once.
- **automatic unlocking:** the fusible link reacts as soon as the temperature in the duct reaches 72°C.
- **remote unlocking:** by interrupting the power supply.

Resetting

- **manual resetting:** open the battery compartment (4) and press a 9V battery against the contact springs. Hold this position until the LED (3) emits a continuous light.
Check whether the indicator (2) shows that the damper blade is in the open position.
Remove the battery, the LED fades away.
Close the battery compartment.
- **motorised resetting:** switch off the power supply for at least 5 sec. Power the actuator (respect the prescribed voltage) for at least 75 sec. The resetting stops automatically when the end of range is reached (damper open).

Caution:

- ⚠ If the LED (3) flickers fast (3x/sec.), the battery is discharged: use a new battery.
- ⚠ If the LED (3) flickers slowly (1x/sec), the resetting is in progress.
- ⚠ If the LED (3) is continuously on, the resetting is complete and the motor is powered.
- ⚠ If the actuator detects voltage on the power cable, a brief contact of the battery is enough to start the resetting process.
- ⚠ The power supply of this actuator cannot be individually replaced. If the cable is damaged, the whole unit must be discarded and replaced.
- ⚠ The housing of the mechanism contains a temperature sensor. When the temperature in the housing exceeds 72°C, the mechanism unlocks. The LED flashes twice per second. When the temperature drops below 72°C, the mechanism can only be reset in a motorised manner after a manual reset (with a battery).
- ⚠ The end of range switches need 1 second after operation to adopt a stable position.
- ⚠ Make sure the thermal trigger device is present in the actuator. The actuator might not function properly if this is not the case.

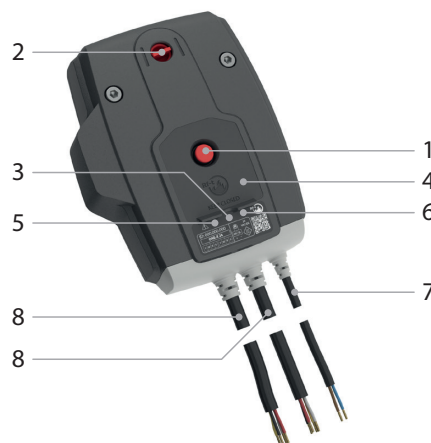
	prod. < 1/7/2015				prod. ≥ 1/7/2015			
	CR60(1s) CR120	CU-LT CU-LT-1s	CR2≤400 CU2≤1200	CR2>400 CU2>1200	CR60(1s) CR120(1s)	CU-LT CU-LT-1s	CR2≤400 CU2≤1200	CR2>400 CU2>1200
Kit ONE	●	●	●		●	●	●	●



ONE-X Spring return actuator with integrated communication module.

The ONE-X is a spring return actuator with integrated communication module designed to simply operate Rf-t fire dampers of all sizes, automatically or remotely. The ONE-X is available in two versions: 24 V and 230 V.

1. unlocking button
2. blade position indicator
3. LED red: status
4. battery compartment
5. LED blue: communication
6. LED orange: error message
7. supply
8. bus cable



Unlocking

- **manual unlocking:** shortly press the unlocking button (1) once.
- **automatic unlocking:** the fusible link reacts as soon as the temperature in the duct reaches 72°C.
- **remote unlocking:** via ZENiX controller

Resetting

- **manual resetting:** Open the battery compartment (4) and press a 9V battery against the contact springs. Hold this position until the red LED (3) emits a continuous light. Control whether the indicator (2) indicates that the damper blade is open. Remove the battery. Close the battery compartment.
- **motorised resetting:** via ZENiX controller. By applying voltage during first use.

Caution:

- ⚠ If the ONE-X detects voltage on the power cable, a brief contact of the battery is enough to start the resetting process, provided the ZENiX controller has sent the damper to open position or the ONE-X is being operated for the first time.
- ⚠ The power supply of this actuator cannot be individually replaced. If the cable is damaged, the whole unit must be discarded and replaced.
- ⚠ The housing of the mechanism contains a temperature sensor. When the temperature in the housing exceeds 72°C, the mechanism unlocks. The LED flashes twice per second. When the temperature drops below 72°C, the mechanism can only be reset in a motorised manner after a manual reset (with a battery).
- ⚠ The end of range switches need 1 second after operation to adopt a stable position.

Safety regulations:

- ⚠ Do not use the ONE-X for any application other than the specified applications, in particular not in aircraft or other airborne vehicles.
- ⚠ The company that purchases and/or installs the ONE-X is fully responsible for the correct operation of the entire system. Only authorised specialists may perform the installation. All rules and regulations, including statutory regulations, must be observed during installation.
- ⚠ This device contains electrical or electronic components and must not be disposed of as household waste. All locally applicable regulations and requirements must be strictly observed.



BFL(T) Remotely controlled spring return actuator

The spring return actuator BFL(T) is especially designed to operate fire dampers remotely. The BFL(T) variant is intended for fire dampers with smaller dimensions (CR60, CR120, CR2 with $\varnothing \leq 400$ mm, CRS60 with $\varnothing \leq 315$ mm, CU2 / CU2-15 / CU4 with $B+H \leq 1200$ mm or for CU-LT and CU-LT-1s). For Markage FD with $H = 200$ mm or $H = 2200$ mm (in combination with BFT motor).

1. locking button
2. plug (ST)
3. access for manual resetting
4. thermo-electric tripping device (T)



Options - at the time of order

SN2 BFL/BFN Auxiliary limit switch 'open/closed'

Unlocking

- **manual unlocking:** place the locking button on "unlock". (In case of BFLT: the damper can alternatively be unlocked by pushing the "test" button on the thermo-electric fuse)
- **automatic unlocking:** the thermo-electric fuse reacts as soon as the temperature reaches 72°C (type BFLT).
- **remote unlocking:** by interrupting the power supply.

Caution:

- ⚠ The thermo-electric fuse will not move the damper into its safety position (when the temperature reaches 72°C) if the motor is not powered.

Resetting

- **manual resetting:** turn the enclosed handle anti-clockwise. To block the motor, place the locking button on "lock"
- **motorised resetting:** switch off the power supply for at least 10 seconds. Supply the actuator (respect the prescribed voltage) for at least 75 seconds. The resetting stops automatically when the end of range is reached (damper open) - it takes about 60 seconds to reset the damper - or when the power supply is interrupted.

Caution:

- ⚠ Do not use a drill or powered screwdriver.
- ⚠ Stop as soon as the motor is completely rearmed (end of range).

	prod. < 1/7/2015				prod. ≥ 1/7/2015			
	CR60(1s) CR120	CU-LT CU-LT-1s	CR2≤400 CU2≤1200	CR2>400 CU2>1200	CR60(1s) CR120 (1s)	CU-LT CU-LT-1s	CR2≤400 CU2≤1200	CR2>400 CU2>1200
Kit BFL					●	●	●	
Kit BFN	●	●	●					●
Kit BF				●				



BFN(T) Remotely controlled spring return actuator

The spring return actuator BFN(T) is especially designed to operate fire dampers remotely. The BFN(T) variant is intended for fire dampers with large dimensions (CRE60, CR2 with $\varnothing > 400$ mm, CRS60 with $\varnothing > 315$ mm or CU2, CU2-15, CU4 with B+H > 1200 mm. For Markage FD with H of 400 and 600 mm or with H = 1200 mm (2 pcs) and with H = 2400 mm (in combination with BFT motor).

1. locking button
2. plug (ST)
3. access for manual resetting
4. thermo-electric tripping device (T)



Options - at the time of order

SN2 BFL/BFN Auxiliary limit switch 'open/closed'

Unlocking

- **manual unlocking:** place the locking button on "unlock". (In case of BFNT: the damper can alternatively be unlocked by pushing the "test" button on the thermo-electric fuse)
- **automatic unlocking:** the thermo-electric fuse reacts as soon as the temperature reaches 72°C (type BFN(T)).
- **remote unlocking:** by interrupting the power supply.

Caution:

- ⚠ The thermo-electric fuse will not move the damper into its safety position (when the temperature reaches 72°C) if the motor is not powered.

Resetting

- **manual resetting:** turn the enclosed handle anti-clockwise. To block the motor, place the locking button on "lock"
- **motorised resetting:** switch off the power supply for at least 10 seconds. Supply the actuator (respect the prescribed voltage) for at least 75 seconds. The resetting stops automatically when the end of range is reached (damper open) - it takes about 60 seconds to reset the damper - or when the power supply is interrupted.

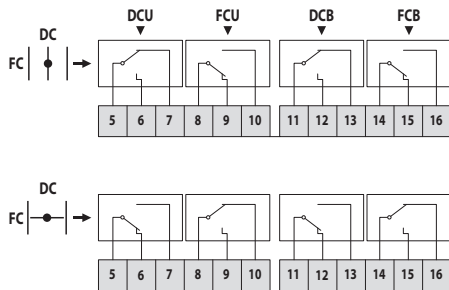
Caution:

- ⚠ Do not use a drill or powered screwdriver.
- ⚠ Stop as soon as the motor is completely rearmed (end of range).

	prod. < 1/7/2015				prod. ≥ 1/7/2015			
	CR60(1s) CR120	CU-LT CU-LT-1s	CR2≤400 CU2≤1200	CR2>400 CU2>1200	CR60(1s) CR120 (1s)	CU-LT CU-LT-1s	CR2≤400 CU2≤1200	CR2>400 CU2>1200
Kit BFL					●	●	●	
Kit BFN	●	●	●					●
Kit BF				●				

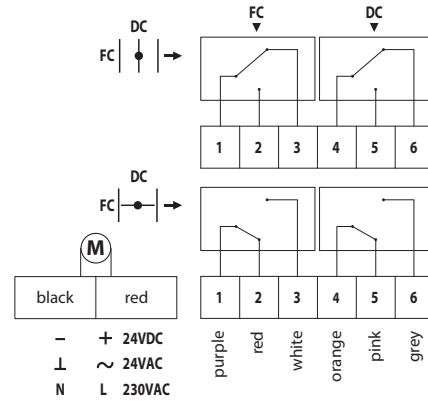
Electrical connection

CFTH



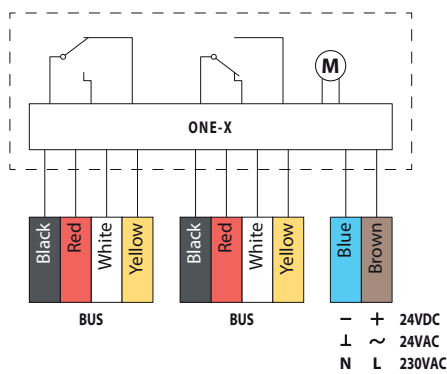
DC: Switch open position fire damper
 FC: Switch closed position fire damper

ONE

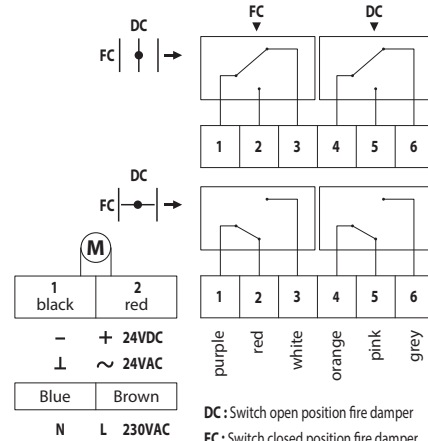


DC: Switch open position fire damper
 FC: Switch closed position fire damper

ONE-X

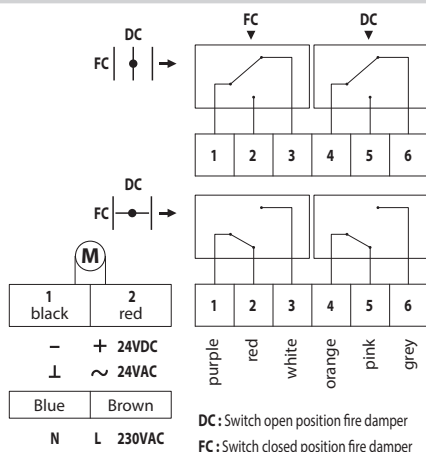


BFL(T)



DC: Switch open position fire damper
 FC: Switch closed position fire damper

BFN(T)



DC: Switch open position fire damper
 FC: Switch closed position fire damper

MEC	Nominal voltage motor	Nominal voltage magnet	Power consumption (stand-by)	Power consumption (operating)	Standard switches	Resetting time motor
CFTH	N/A	N/A	N/A	N/A	1mA...6A, DC 5V...AC 250V	N/A
ONET 24 FDCU	24 V AC/DC (-10/+20%)	N/A	0,28 W	4,2 W	1mA...1A 60V	< 75 s (cabled) / <85 s (battery)
ONET 24 FDCU ST	24 V AC/DC (-10/+20%)	N/A	0,28 W	4,2 W	1mA...1A 60V	< 75 s (cabled) / <85 s (battery)
ONET 230 FDCU	230 V AC (-15/+15%)	N/A	0,57 W	4,2 W	1mA...100mA 230V	< 75 s (cabled) / <85 s (battery)
ONET 230 FDCU ST	230 V AC (-15/+15%)	N/A	0,57 W	4,2 W	1mA...100mA 230V	< 75 s (cabled) / <85 s (battery)
ONET 24 FDCB	24 V AC/DC (-10/+20%)	N/A	0,28 W	4,2 W	1mA...1A 60V	< 75 s (cabled) / <85 s (battery)
ONET 230 FDCB	230 V AC (-15/+15%)	N/A	0,57 W	4,2 W	1mA...1A 60V	< 75 s (cabled) / <85 s (battery)
ONE-X 24	24 V AC/DC (-10/+20%)	N/A	0,28 W	4,2 W		< 75 s (cabled) / <85 s (battery)
ONE-X 230	230 V AC (-15/+15%)	N/A	0,57 W	4,2 W		< 75 s (cabled) / <85 s (battery)
BFL24	24 V AC/DC	N/A	0,7 W	2,5 W	1mA...3A, AC 250V	< 60 s
BFL24-ST	24 V AC/DC	N/A	0,7 W	2,5 W	1mA...3A, AC 250V	< 60 s
BFL230	230 V AC	N/A	0,9 W	3 W	1mA...3A, AC 250V	< 60 s
BFLT24	24 V AC/DC	N/A	0,8 W	2,5 W	1mA...3A, AC 250V	< 60 s
BFLT24-ST	24 V AC/DC	N/A	0,8 W	2,5 W	1mA...3A, AC 250V	< 60 s
BFLT230	230 V AC	N/A	1,1 W	3,5 W	1mA...3A, AC 250V	< 60 s
BFLT230-ST	230 V AC	N/A	1,1 W	3,5 W	1mA...3A, AC 250V	< 60 s
BFN24	24 V AC/DC	N/A	1,4 W	4 W	1mA...3A, AC 250V	< 60 s
BFN24-ST	24 V AC/DC	N/A	1,4 W	4 W	1mA...3A, AC 250V	< 60 s
BFN230	230 V AC	N/A	2 W	4,5 W	1mA...3A, AC 250V	< 60 s
BFNT24	24 V AC/DC	N/A	1,4 W	4 W	1mA...3A, AC 250V	< 60 s
BFNT24-ST	24 V AC/DC	N/A	1,4 W	4 W	1mA...3A, AC 250V	< 60 s
BFNT230	230 V AC	N/A	2,1 W	5 W	1mA...3A, AC 250V	< 60 s
BFNT230-ST	230 V AC	N/A	2,1 W	5 W	1mA...3A, AC 250V	< 60 s

MEC	Running time spring	Noise level motor	Noise level spring	Cable supply / control	Cable auxiliary switch	Protection class
CFTH	1 s	N/A	N/A			IP 42
ONET 24 FDCU	< 30 s	< 64 dB (A)	< 67 dB (A)	1 m, 2 x 0.75 mm ² (halogen-free)	1 m, 6 x 0.75 mm ² (halogen-free)	IP 54
ONET 24 FDCU ST	< 30 s	< 64 dB (A)	< 67 dB (A)	1 m, 2 x 0.75 mm ² (halogen-free)	1 m, 6 x 0.75 mm ² (halogen-free)	IP 54
ONET 230 FDCU	< 30 s	< 64 dB (A)	< 67 dB (A)	1 m, 2 x 0.75 mm ² (halogen-free)	1 m, 6 x 0.75 mm ² (halogen-free)	IP 54
ONET 230 FDCU ST	< 30 s	< 64 dB (A)	< 67 dB (A)	1 m, 2 x 0.75 mm ² (halogen-free)	1 m, 6 x 0.75 mm ² (halogen-free)	IP 54
ONET 24 FDCB	< 30 s	< 64 dB (A)	< 67 dB (A)	1 m, 2 x 0.75 mm ² (halogen-free)	(2x) 1 m, 6 x 0,75 mm ² (halogen-free)	IP 54
ONET 230 FDCB	< 30 s	< 64 dB (A)	< 67 dB (A)	1 m, 2 x 0.75 mm ² (halogen-free)	(2x) 1 m, 6 x 0,75 mm ² (halogen-free)	IP 54
ONE-X 24	< 30 s	< 64 dB (A)	< 67 dB (A)	1 m, 2 x 0.75 mm ² (halogen-free)	bus cable: (2x) 1 m, 4 x 0,75 mm ² (halogen-free)	IP 54
ONE-X 230	< 30 s	< 64 dB (A)	< 67 dB (A)	1 m, 2 x 0.75 mm ² (halogen-free)	bus cable: (2x) 1 m, 4 x 0,75 mm ² (halogen-free)	IP 54
BFL24	20 s	< 43 dB (A)	< 62 dB (A)	1 m, 2 x 0.75 mm ² (halogen-free)	1 m, 6 x 0.75 mm ² (halogen-free)	IP 54
BFL24-ST	20 s	< 43 dB (A)	< 62 dB (A)	1 m, 2 x 0.75 mm ² (halogen-free)	1 m, 6 x 0.75 mm ² (halogen-free)	IP 54
BFL230	20 s	< 43 dB (A)	< 62 dB (A)	1 m, 2 x 0.75 mm ² (halogen-free)	1 m, 6 x 0.75 mm ² (halogen-free)	IP 54
BFLT24	20 s	< 43 dB (A)	< 62 dB (A)	1 m, 2 x 0.75 mm ² (halogen-free)	1 m, 6 x 0.75 mm ² (halogen-free)	IP 54
BFLT24-ST	20 s	< 43 dB (A)	< 62 dB (A)	1 m, 2 x 0.75 mm ² (halogen-free)	1 m, 6 x 0.75 mm ² (halogen-free)	IP 54
BFLT230	20 s	< 43 dB (A)	< 62 dB (A)	1 m, 2 x 0.75 mm ² (halogen-free)	1 m, 6 x 0.75 mm ² (halogen-free)	IP 54
BFLT230-ST	20 s	< 43 dB (A)	< 62 dB (A)	1 m, 2 x 0.75 mm ² (halogen-free)	1 m, 6 x 0.75 mm ² (halogen-free)	IP 54
BFN24	20 s	≤ 55 dB (A)	ca. 67 dB (A)	1 m, 2 x 0.75 mm ² (halogen-free)	1 m, 6 x 0.75 mm ² (halogen-free)	IP 54
BFN24-ST	20 s	≤ 55 dB (A)	ca. 67 dB (A)	1 m, 2 x 0.75 mm ² (halogen-free)	1 m, 6 x 0.75 mm ² (halogen-free)	IP 54
BFN230	20 s	≤ 55 dB (A)	ca. 67 dB (A)	1 m, 2 x 0.75 mm ² (halogen-free)	1 m, 6 x 0.75 mm ² (halogen-free)	IP 54
BFNT24	20 s	≤ 55 dB (A)	ca. 67 dB (A)	1 m, 2 x 0.75 mm ² (halogen-free)	1 m, 6 x 0.75 mm ² (halogen-free)	IP 54
BFNT24-ST	20 s	≤ 55 dB (A)	ca. 67 dB (A)	1 m, 2 x 0.75 mm ² (halogen-free)	1 m, 6 x 0.75 mm ² (halogen-free)	IP 54
BFNT230	20 s	≤ 55 dB (A)	ca. 67 dB (A)	1 m, 2 x 0.75 mm ² (halogen-free)	1 m, 6 x 0.75 mm ² (halogen-free)	IP 54
BFNT230-ST	20 s	≤ 55 dB (A)	ca. 67 dB (A)	1 m, 2 x 0.75 mm ² (halogen-free)	1 m, 6 x 0.75 mm ² (halogen-free)	IP 54

Weights

CU2/B + CFTH

Hn\Wn [mm]		200	250	300	350	400	450	500	550	600	650	700	750	800	850	900
200	kg	10,8	11,9	12,9	14,0	15,0	16,1	17,1	18,2	19,3	20,3	21,4	22,4	23,5	24,5	25,6
250	kg	11,8	12,9	14,0	15,2	16,3	17,4	18,5	19,7	20,8	21,9	23,0	24,2	25,3	26,4	27,5
300	kg	12,8	14,0	15,2	16,4	17,6	18,7	19,9	21,1	22,3	23,5	24,7	25,9	27,1	28,3	29,4
350	kg	13,8	15,1	16,3	17,6	18,8	20,1	21,3	22,6	23,8	25,1	26,3	27,6	28,9	30,1	29,8
400	kg	14,8	16,1	17,5	18,8	20,1	21,4	22,7	24,0	25,4	26,7	28,0	29,3	30,6	30,4	31,7
450	kg	15,8	17,2	18,6	20,0	21,4	22,7	24,1	25,5	26,9	28,3	29,7	31,0	30,8	32,2	33,6
500	kg	16,8	18,3	19,7	21,2	22,6	24,1	25,5	27,0	28,4	29,9	31,3	31,2	32,6	34,1	35,5
550	kg	17,8	19,3	20,9	22,4	23,9	25,4	26,9	28,4	29,9	31,5	31,4	32,9	34,4	35,9	37,4
600	kg	18,8	20,4	22,0	23,6	25,2	26,7	28,3	29,9	31,5	31,5	33,0	34,6	36,2	37,8	39,3
650	kg	19,8	21,5	23,1	24,8	26,4	28,1	29,7	31,4	31,4	33,0	34,7	36,3	38,0	39,6	41,3
700	kg	20,8	22,6	24,3	26,0	27,7	29,4	31,1	31,2	32,9	34,6	36,3	38,1	39,8	41,5	43,2
750	kg	21,9	23,6	25,4	27,2	29,0	30,7	30,9	32,7	34,5	36,2	38,0	39,8	41,6	43,3	45,1
800	kg	22,9	24,7	26,5	28,4	30,2	30,5	32,3	34,1	36,0	37,8	39,7	41,5	43,3	45,2	47,0

Hn\Wn [mm]		950	1000	1050	1100	1150	1200	1250	1300	1350	1400	1450	1500			
200	kg	26,7	27,7	27,2	28,2	29,3	30,3	31,4	32,5	33,5	34,6	35,6	36,7			
250	kg	28,6	28,2	29,3	30,4	31,5	32,7	33,8	34,9	36,0	37,1	38,3	39,4			
300	kg	29,0	30,2	31,4	32,6	33,8	35,0	36,2	37,3	38,5	39,7	40,9	42,1			
350	kg	31,0	32,3	33,5	34,8	36,0	37,3	38,5	39,8	41,0	42,3	43,5	44,8			
400	kg	33,0	34,3	35,6	36,9	38,3	39,6	40,9	42,2	43,5	44,9	46,2	47,5			
450	kg	35,0	36,4	37,7	39,1	40,5	41,9	43,3	44,7	46,0	47,4	48,8	50,2			
500	kg	37,0	38,4	39,9	41,3	42,8	44,2	45,7	47,1	48,6	50,0	51,4	52,9			
550	kg	38,9	40,5	42,0	43,5	45,0	46,5	48,0	49,5	51,1	52,6	54,1	-			
600	kg	40,9	42,5	44,1	45,7	47,2	48,8	50,4	52,0	53,6	55,1	-	-			
650	kg	42,9	44,6	46,2	47,8	49,5	51,1	52,8	54,4	56,1	-	-	-			
700	kg	44,9	46,6	48,3	50,0	51,7	53,4	55,2	56,9	-	-	-	-			
750	kg	46,9	48,7	50,4	52,2	54,0	55,8	57,5	-	-	-	-	-			
800	kg	48,9	50,7	52,5	54,4	56,2	58,1	-	-	-	-	-	-			

CU2/B + ONE

Hn\Wn [mm]		200	250	300	350	400	450	500	550	600	650	700	750	800	850	900
200	kg	11,6	12,7	13,7	14,8	15,8	16,9	17,9	19,0	20,1	21,1	22,2	23,2	24,3	25,3	26,4
250	kg	12,6	13,7	14,8	16,0	17,1	18,2	19,3	20,5	21,6	22,7	23,8	25,0	26,1	27,2	28,3
300	kg	13,6	14,8	16,0	17,2	18,4	19,5	20,7	21,9	23,1	24,3	25,5	26,7	27,9	29,1	30,2
350	kg	14,6	15,9	17,1	18,4	19,6	20,9	22,1	23,4	24,6	25,9	27,1	28,4	29,7	30,9	30,6
400	kg	15,6	16,9	18,3	19,6	20,9	22,2	23,5	24,8	26,2	27,5	28,8	30,1	31,4	31,2	32,5
450	kg	16,6	18,0	19,4	20,8	22,2	23,5	24,9	26,3	27,7	29,1	30,5	31,8	31,6	33,0	34,4
500	kg	17,6	19,1	20,5	22,0	23,4	24,9	26,3	27,8	29,2	30,7	32,1	32,0	33,4	34,9	36,3
550	kg	18,6	20,1	21,7	23,2	24,7	26,2	27,7	29,2	30,7	32,3	32,2	33,7	35,2	36,7	38,2
600	kg	19,6	21,2	22,8	24,4	26,0	27,5	29,1	30,7	32,3	32,3	33,8	35,4	37,0	38,6	40,1
650	kg	20,6	22,3	23,9	25,6	27,2	28,9	30,5	32,2	32,2	33,8	35,5	37,1	38,8	40,4	42,1
700	kg	21,6	23,4	25,1	26,8	28,5	30,2	31,9	32,0	33,7	35,4	37,1	38,9	40,6	42,3	44,0
750	kg	22,7	24,4	26,2	28,0	29,8	31,5	31,7	33,5	35,3	37,0	38,8	40,6	42,4	44,1	45,9
800	kg	23,7	25,5	27,3	29,2	31,0	31,3	33,1	34,9	36,8	38,6	40,5	42,3	44,1	46,0	47,8

CU2/B + BFN

Hn\Wn (mm)		200	250	300	350	400	450	500	550	600	650	700	750	800	850	900
200	kg	-	-	-	-	-	-	-	-	-	-	-	-	-	-	-
250	kg	-	-	-	-	-	-	-	-	-	-	-	-	-	-	-
300	kg	-	-	-	-	-	-	-	-	-	-	-	-	-	-	-
350	kg	-	-	-	-	-	-	-	-	-	-	-	-	-	-	30,1
400	kg	-	-	-	-	-	-	-	-	-	-	-	-	-	30,7	32,0
450	kg	-	-	-	-	-	-	-	-	-	-	-	-	31,2	32,6	33,9
500	kg	-	-	-	-	-	-	-	-	-	-	-	31,5	33,0	34,4	35,9
550	kg	-	-	-	-	-	-	-	-	-	-	31,7	33,2	34,8	36,3	37,8
600	kg	-	-	-	-	-	-	-	-	-	31,8	33,4	35,0	36,5	38,1	39,7
650	kg	-	-	-	-	-	-	-	-	31,8	33,4	35,0	36,7	38,3	40,0	41,6
700	kg	-	-	-	-	-	-	-	31,6	33,3	35,0	36,7	38,4	40,1	41,8	43,5
750	kg	-	-	-	-	-	-	31,3	33,0	34,8	36,6	38,4	40,1	41,9	43,7	45,5
800	kg	-	-	-	-	-	30,8	32,7	34,5	36,3	38,2	40,0	41,9	43,7	45,5	47,4

Hn\Wn (mm)		950	1000	1050	1100	1150	1200	1250	1300	1350	1400	1450	1500			
200	kg	-	-	27,5	28,6	29,6	30,7	31,8	32,8	33,9	34,9	36,0	37,0			
250	kg	-	28,5	29,6	30,8	31,9	33,0	34,1	35,2	36,4	37,5	38,6	39,7			
300	kg	29,4	30,6	31,8	32,9	34,1	35,3	36,5	37,7	38,9	40,1	41,3	42,4			
350	kg	31,4	32,6	33,9	35,1	36,4	37,6	38,9	40,1	41,4	42,6	43,9	45,1			
400	kg	33,3	34,7	36,0	37,3	38,6	39,9	41,3	42,6	43,9	45,2	46,5	47,8			
450	kg	35,3	36,7	38,1	39,5	40,9	42,2	43,6	45,0	46,4	47,8	49,2	50,5			
500	kg	37,3	38,8	40,2	41,7	43,1	44,6	46,0	47,5	48,9	50,4	51,8	53,2			
550	kg	39,3	40,8	42,3	43,8	45,4	46,9	48,4	49,9	51,4	52,9	54,4	55,9			
600	kg	41,3	42,9	44,4	46,0	47,6	49,2	50,8	52,3	53,9	55,5	57,1	58,7			
650	kg	43,3	44,9	46,6	48,2	49,8	51,5	53,1	54,8	56,4	58,1	59,7	61,4			
700	kg	45,2	47,0	48,7	50,4	52,1	53,8	55,5	57,2	58,9	60,6	62,3	64,1			
750	kg	47,2	49,0	50,8	52,6	54,3	56,1	57,9	59,7	61,4	63,2	65,0	66,8			
800	kg	49,2	51,1	52,9	54,7	56,6	58,4	60,3	62,1	63,9	65,8	67,6	69,5			

CU2/B + BFNT

Hn\Wn (mm)		200	250	300	350	400	450	500	550	600	650	700	750	800	850	900
200	kg	-	-	-	-	-	-	-	-	-	-	-	-	-	-	-
250	kg	-	-	-	-	-	-	-	-	-	-	-	-	-	-	-
300	kg	-	-	-	-	-	-	-	-	-	-	-	-	-	-	-
350	kg	-	-	-	-	-	-	-	-	-	-	-	-	-	-	30,2
400	kg	-	-	-	-	-	-	-	-	-	-	-	-	-	30,8	32,1
450	kg	-	-	-	-	-	-	-	-	-	-	-	-	31,3	32,7	34,0
500	kg	-	-	-	-	-	-	-	-	-	-	-	31,6	33,1	34,5	36,0
550	kg	-	-	-	-	-	-	-	-	-	-	31,8	33,3	34,9	36,4	37,9
600	kg	-	-	-	-	-	-	-	-	-	31,9	33,5	35,1	36,6	38,2	39,8
650	kg	-	-	-	-	-	-	-	-	31,9	33,5	35,1	36,8	38,4	40,1	41,7
700	kg	-	-	-	-	-	-	-	31,7	33,4	35,1	36,8	38,5	40,2	41,9	43,6
750	kg	-	-	-	-	-	-	31,4	33,1	34,9	36,7	38,5	40,2	42,0	43,8	45,6
800	kg	-	-	-	-	-	30,9	32,8	34,6	36,4	38,3	40,1	42,0	43,8	45,6	47,5

CU2/B-L500 + BFLT

Hn\Wn (mm)		200	250	300	350	400	450	500	550	600	650	700	750	800	850	900	950	1000
200	kg	11,8	12,9	14,1	15,3	16,4	17,6	18,7	19,9	21,0	22,2	23,3	24,5	25,6	26,8	28,0	29,1	30,3
250	kg	12,9	14,1	15,3	16,6	17,8	19,0	20,2	21,5	22,7	23,9	25,1	26,4	27,6	28,8	30,0	31,3	-
300	kg	14,0	15,3	16,6	17,9	19,2	20,5	21,8	23,1	24,4	25,7	27,0	28,3	29,6	30,9	32,1	-	-
350	kg	15,1	16,4	17,8	19,2	20,5	21,9	23,3	24,7	26,0	27,4	28,8	30,1	31,5	32,9	-	-	-
400	kg	16,2	17,6	19,1	20,5	21,9	23,4	24,8	26,3	27,7	29,1	30,6	32,0	33,5	-	-	-	-
450	kg	17,3	18,8	20,3	21,8	23,3	24,8	26,3	27,8	29,4	30,9	32,4	33,9	-	-	-	-	-
500	kg	18,4	19,9	21,5	23,1	24,7	26,3	27,9	29,5	31,0	32,6	34,2	-	-	-	-	-	-
550	kg	19,5	21,1	22,8	24,4	26,1	27,7	29,4	31,0	32,7	34,4	-	-	-	-	-	-	-
600	kg	20,6	22,3	24,0	25,7	27,5	29,2	30,9	32,6	34,4	-	-	-	-	-	-	-	-
650	kg	21,7	23,5	25,3	27,0	28,9	30,6	32,4	34,2	-	-	-	-	-	-	-	-	-
700	kg	22,8	24,6	26,5	28,4	30,2	32,1	34,0	-	-	-	-	-	-	-	-	-	-
750	kg	23,9	25,8	27,7	29,7	31,6	33,6	-	-	-	-	-	-	-	-	-	-	-
800	kg	25,0	27,0	29,0	31,0	33,0	-	-	-	-	-	-	-	-	-	-	-	-

CU2/B-L500 + BFN

Hn\Wn (mm)		200	250	300	350	400	450	500	550	600	650	700	750	800	850	900
200	kg	-	-	-	-	-	-	-	-	-	-	-	-	-	-	-
250	kg	-	-	-	-	-	-	-	-	-	-	-	-	-	-	-
300	kg	-	-	-	-	-	-	-	-	-	-	-	-	-	-	-
350	kg	-	-	-	-	-	-	-	-	-	-	-	-	-	-	32,7
400	kg	-	-	-	-	-	-	-	-	-	-	-	-	-	33,3	34,8
450	kg	-	-	-	-	-	-	-	-	-	-	-	-	33,9	35,4	36,9
500	kg	-	-	-	-	-	-	-	-	-	-	-	34,2	35,8	37,4	39,0
550	kg	-	-	-	-	-	-	-	-	-	-	34,5	36,1	37,8	39,4	41,1
600	kg	-	-	-	-	-	-	-	-	-	34,5	36,3	38,0	39,7	41,5	43,2
650	kg	-	-	-	-	-	-	-	-	34,5	36,3	38,1	39,9	41,7	43,5	45,3
700	kg	-	-	-	-	-	-	-	34,3	36,2	38,0	39,9	41,8	43,6	45,5	47,4
750	kg	-	-	-	-	-	-	33,9	35,9	37,8	39,8	41,7	43,6	45,6	47,5	49,5
800	kg	-	-	-	-	-	33,5	35,5	37,5	39,5	41,5	43,5	45,5	47,5	49,5	51,6

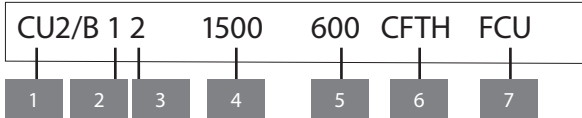
Hn\Wn (mm)		950	1000	1050	1100	1150	1200	1250	1300	1350	1400	1450	1500			
200	kg	-	-	29,9	31,0	32,2	33,3	34,5	35,6	36,8	38,0	39,1	40,3			
250	kg	-	31,0	32,2	33,4	34,6	35,9	37,1	38,3	39,5	40,8	42,0	43,2			
300	kg	31,9	33,2	34,5	35,8	37,1	38,4	39,7	41,0	42,3	43,6	44,9	46,2			
350	kg	34,1	35,4	36,8	38,2	39,5	40,9	42,3	43,6	45,0	46,4	47,8	49,1			
400	kg	36,2	37,7	39,1	40,5	42,0	43,4	44,9	46,3	47,8	49,2	50,6	52,1			
450	kg	38,4	39,9	41,4	42,9	44,4	46,0	47,5	49,0	50,5	52,0	53,5	55,0			
500	kg	40,6	42,2	43,7	45,3	46,9	48,5	50,1	51,6	53,2	54,8	56,4	58,0			
550	kg	42,7	44,4	46,0	47,7	49,4	51,0	52,7	54,3	56,0	57,6	59,3	60,9			
600	kg	44,9	46,6	48,3	50,1	51,8	53,5	55,3	57,0	58,7	60,4	62,2	63,9			
650	kg	47,1	48,9	50,7	52,5	54,3	56,0	57,9	59,6	61,4	63,2	65,0	66,8			
700	kg	49,2	51,1	53,0	54,8	56,7	58,6	60,4	62,3	64,2	66,0	67,9	69,8			
750	kg	51,4	53,3	55,3	57,2	59,2	61,1	63,0	65,0	66,9	68,9	70,8	72,7			
800	kg	53,6	55,6	57,6	59,6	61,6	63,6	65,6	67,6	69,6	71,7	73,7	75,7			

CU2/B-L500 + BFNT

Hn\Wn (mm)		200	250	300	350	400	450	500	550	600	650	700	750	800	850	900
200	kg	-	-	-	-	-	-	-	-	-	-	-	-	-	-	-
250	kg	-	-	-	-	-	-	-	-	-	-	-	-	-	-	-
300	kg	-	-	-	-	-	-	-	-	-	-	-	-	-	-	-
350	kg	-	-	-	-	-	-	-	-	-	-	-	-	-	-	32,8
400	kg	-	-	-	-	-	-	-	-	-	-	-	-	-	33,4	34,9
450	kg	-	-	-	-	-	-	-	-	-	-	-	-	34,0	35,5	37,0
500	kg	-	-	-	-	-	-	-	-	-	-	-	34,3	35,9	37,5	39,1
550	kg	-	-	-	-	-	-	-	-	-	-	34,6	36,2	37,9	39,5	41,2
600	kg	-	-	-	-	-	-	-	-	-	34,6	36,4	38,1	39,8	41,6	43,3
650	kg	-	-	-	-	-	-	-	-	34,6	36,4	38,2	40,0	41,8	43,6	45,4
700	kg	-	-	-	-	-	-	-	34,4	36,3	38,1	40,0	41,9	43,7	45,6	47,5
750	kg	-	-	-	-	-	-	34,0	36,0	37,9	39,9	41,8	43,7	45,7	47,6	49,6
800	kg	-	-	-	-	-	33,6	35,6	37,6	39,6	41,6	43,6	45,6	47,6	49,6	51,7

Hn\Wn (mm)		950	1000	1050	1100	1150	1200	1250	1300	1350	1400	1450	1500			
200	kg	-	-	30,0	31,1	32,3	33,4	34,6	35,7	36,9	38,1	39,2	40,4			
250	kg	-	31,1	32,3	33,5	34,7	36,0	37,2	38,4	39,6	40,9	42,1	43,3			
300	kg	32,0	33,3	34,6	35,9	37,2	38,5	39,8	41,1	42,4	43,7	45,0	46,3			
350	kg	34,2	35,5	36,9	38,3	39,6	41,0	42,4	43,7	45,1	46,5	47,9	49,2			
400	kg	36,3	37,8	39,2	40,6	42,1	43,5	45,0	46,4	47,9	49,3	50,7	52,2			
450	kg	38,5	40,0	41,5	43,0	44,5	46,1	47,6	49,1	50,6	52,1	53,6	55,1			
500	kg	40,7	42,3	43,8	45,4	47,0	48,6	50,2	51,7	53,3	54,9	56,5	58,1			
550	kg	42,8	44,5	46,1	47,8	49,5	51,1	52,8	54,4	56,1	57,7	59,4	61,0			
600	kg	45,0	46,7	48,4	50,2	51,9	53,6	55,4	57,1	58,8	60,5	62,3	64,0			
650	kg	47,2	49,0	50,8	52,6	54,4	56,1	58,0	59,7	61,5	63,3	65,1	66,9			
700	kg	49,3	51,2	53,1	54,9	56,8	58,7	60,5	62,4	64,3	66,1	68,0	69,9			
750	kg	51,5	53,4	55,4	57,3	59,3	61,2	63,1	65,1	67,0	69,0	70,9	72,8			
800	kg	53,7	55,7	57,7	59,7	61,7	63,7	65,7	67,7	69,7	71,8	73,8	75,8			

Sample order



1. product
2. number of individual dampers in width
3. number of individual dampers in height
4. total width of the battery
5. total height of the battery
6. mechanism type
7. option: uni/bipolar switches

Approvals and certificates

All our dampers are submitted to a number of tests by official test institutes. Reports of these tests form the basis for the approvals of our dampers.



BCCA-0749-CPR-BC1-606-0464-15650.03-0464&2517



18.12



SC0652-15



2822-UKCA-CPR-0057

The NF-label guarantees: conformity with the standard NF S 61-937 Parts 1 and 5: "Systèmes de Sécurité Incendie Dispositifs Actionnés de Sécurité"; conformity with the national decree of March 22, 2004, changed on 14 March 2011 for the classification of fire resistance; the values of the characteristics mentioned in this document. Organisme Certificateur: AFNOR Certification, 11 Rue Francis de Pressensé, F93571 La Plaine Saint-Denis Cedex; Website: <http://www.afnor.org> and <http://www.marque-nf.com>; Phone: +33 (0)1.41.62.80.00, Fax: +33 (0)1.49.17.90.00, Email: certification@afnor.org