

# VT60

Guillotine-type transfer shutter E60 or EI60 (with a grill).



## Table of content




Declaration of performance	3
Product presentation VT60	4
Range and dimensions VT60	5
Evolution - kits	6
Options - at the time of order	7
Storage and handling	8
Installation	8
Operation: manual closing	9
Operation: manual opening	9
Installation in rigid wall	10
Installation in rigid wall by means of mounting frame E-VT60	10
Installation in flexible wall (metal stud gypsum plasterboard wall)	11
Electrical connection (only when the shutter is equipped with limit switches)	12
Installation of the grill	12
Replacement fusible link FUS72 VT60	13
Operation and mechanisms	14
Electrical connection	14
Weights	15
Selection data	15
Approvals and certificates	16

## Explanation of the abbreviations and pictograms

Wn = nominal width  
 Hn = nominal height  
 Sn = free air passage  
 E = integrity

I = thermal insulation  
 60/120 = fire resistance time  
 Auto = automatic  
 OP = option (delivered with the product)

KIT = kit (delivered separately for repair or upgrade)  
 GKB (type A) / GKF (type F): "GKB" stands for standard plasterboards (type A according to EN 520) while "GKF" plasterboards offer a higher fire resistance for a similar plate thickness (type F according to EN 520)

	optimal free air passage and minimal pressure loss		compact build-in depth
	dry mounting (surface-mount)		

# CLASSIFICATIONS

CLA\_V25\_EN - D-01/02/2024

Essential characteristics		Type	Wall	Sealing	Installation	Performance Classification
5. Harmonised standard / European Assessment Document; notified body / European Technical Assessment; Technical Assessment Body, notified body; certificate of constancy of performance:		VT60				
Range 300x200 mm ≤ VT60 ≤ 800x800 mm	Rigid wall	Aerated concrete ≥ 100 mm	Not applicable	1	EI 60	
	Flexible wall	Metal studs; gypsum plasterboard Type A (EN 520) ≥ 100 mm	Not applicable	2	E 60	
1		Type of installation: surface-mounted with grill (fire side opposite the grill)		2	type of installation: surface-mounted, without grill	



The performance of the product identified above is in conformity with the set of declared performance/s. This declaration of performance is issued, in accordance with Regulation (EU) No 305/2011, under the sole responsibility of the manufacturer identified above.

Signed for and on behalf of the manufacturer by:

Duchan Laplace, R&D Manager

Oosterzele, 01/02/2024



## Product presentation VT60

### Product presentation VT60

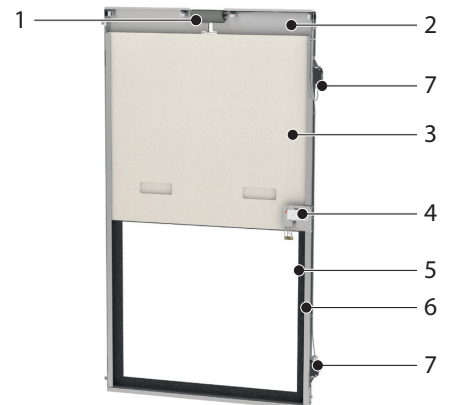
Guillotine-type transfer shutter tested according to European standard EN 1634-1 and classified E60 or EI60 (if finished with a grill). With its compact build-in dimensions, the VT60 is surface-mounted on light and massive walls of 100 mm or built-in with the E-VT60 option. The shutter is open in the standby position and closed in the safety position; the unlocking happens only through a fusible link.

The transfer shutters are part of the smoke extraction systems in public buildings. They serve as air supply for the corridor next to an airlock.

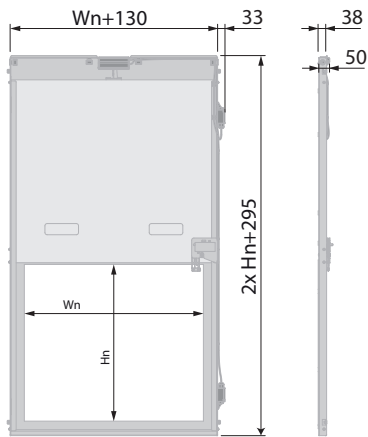
- ☑ fast installation
  - ☑ optimal free air passage and minimal pressure loss
  - ☑ compact build-in depth
  - ☑ lightweight
  - ☑ optional in-wall installation kit
- dry mounting (surface-mount)
  - suitable for surface-mounting without a mounting frame on light and rigid wall
  - tested in accordance with EN 1634-1
  - unlocking by fusible link
  - maintenance-free
  - for indoor use



1. connection compartment
2. steel frame
3. damper blade
4. fusible link
5. intumescent strip
6. slides
7. end and beginning of range switches (option)

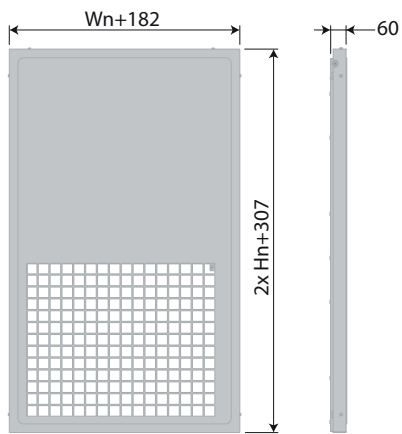


## Range and dimensions VT60

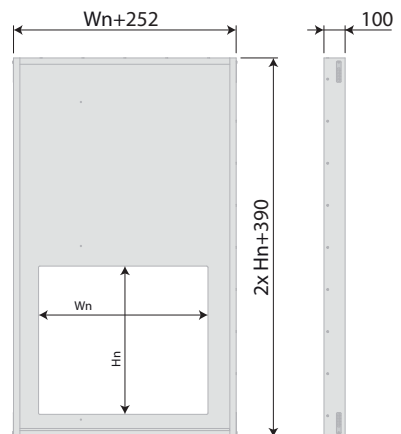


	IV	IA
(W x H) mm	300x200	800x800

### G-VT60



### E-VT60



**Evolution - kits****E-VT60**

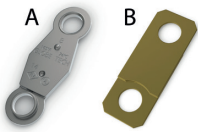
Fire resistant mounting frame for rigid wall. Delivered separately as a kit.

**G-VT60**

Protection grill. Delivered separately as a kit.

**KIT FDC VT60**

Limit switches 'open/closed' (kit)

**FUS72 VT60**

Fusible link 72°C (per set of 2 pieces)

A: VT60 &lt; 1/4/2019

B: VT60 ≥ 1/4/2019

## Options - at the time of order

**E-VT60**

Fire resistant mounting frame for rigid wall. VT60 will be mounted on E-VT60 when ordered as an option.

**G-VT60**

Protection grill. Delivered with the product as an option.

**FDC VT60**

Limit switches 'open/closed' (pre-mounted)

**DC VT60**

Limit switch 'open' (pre-mounted)

**FC VT60**

Limit switch 'closed' (pre-mounted)

## Storage and handling

---

### Storage and handling

---

As this product is a safety element, it should be stored and handled with care.

**Avoid:**

- any kind of impact or damage
- contact with water
- deformation of the casing

**It is recommended:**

- to unload in a dry area
- not to flip or roll the product to move it
- not to use the damper as a scaffold, working table, etc.
- not to store smaller dampers inside larger ones

### Installation

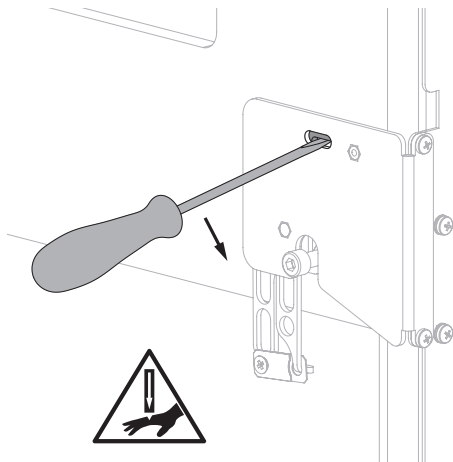
---

**General points**

- The installation must comply with the installation manual and the classification report.
- Verify if the blade can move freely.
- Caution: when fitting, the product should be handled with care and remain protected from any sealing products.
- Caution: before putting the installation into operation, clean off all the dust and dirt.



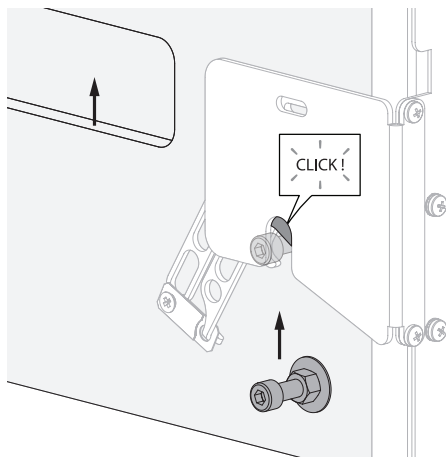
### Operation: manual closing

**1**

1. Unlock the mechanism by lifting the locking plate through the slotted hole with the help of a flat screwdriver. This action makes the shutter blade fall.

**⚠** Watch out for the fingers!

### Operation: manual opening

**1**

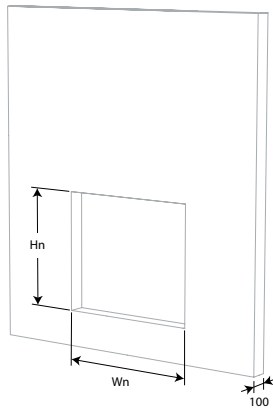
1. Lift the shutter blade with two hands by the integrated handles until the lock bolt snaps into the open lock.

## Installation in rigid wall

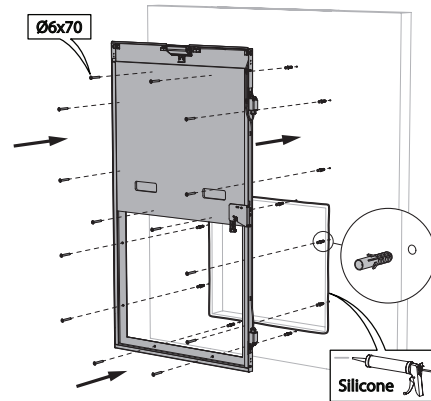
The product was tested and approved in:

Range	Wall type	Sealing	Classification
$300 \times 200 \text{ mm} \leq \text{VT60} \leq 800 \times 800 \text{ mm}$	Rigid wall	Aerated concrete $\geq 100 \text{ mm}$	EI 60
$300 \times 200 \text{ mm} \leq \text{VT60} \leq 800 \times 800 \text{ mm}$	Rigid wall	Aerated concrete $\geq 100 \text{ mm}$	E 60

1



2

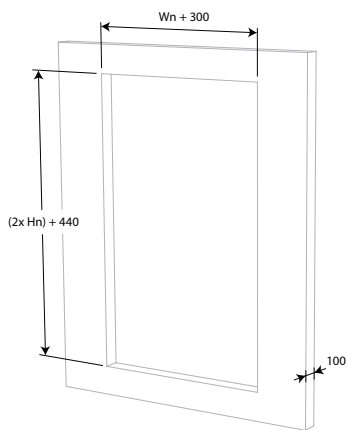


## Installation in rigid wall by means of mounting frame E-VT60

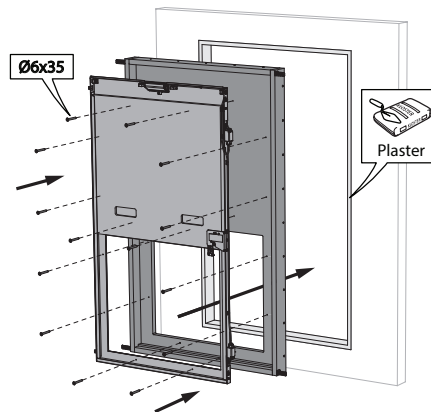
The product was tested and approved in:

Range	Wall type	Sealing	Classification
$300 \times 200 \text{ mm} \leq \text{VT60} \leq 800 \times 800 \text{ mm}$	Rigid wall	Aerated concrete $\geq 100 \text{ mm}$	EI 60
$300 \times 200 \text{ mm} \leq \text{VT60} \leq 800 \times 800 \text{ mm}$	Rigid wall	Aerated concrete $\geq 100 \text{ mm}$	E 60

1



2

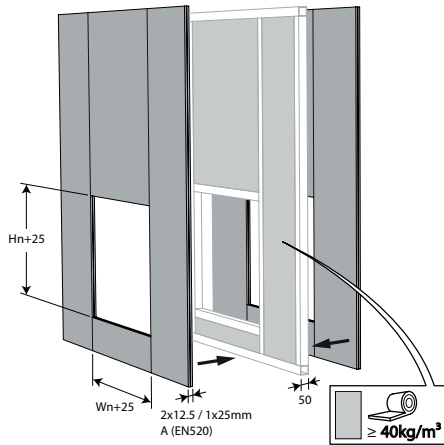


## Installation in flexible wall (metal stud gypsum plasterboard wall)

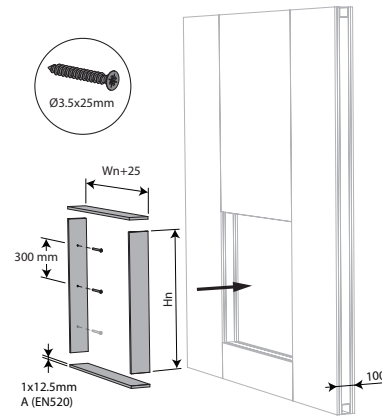
The product was tested and approved in:

Range	Wall type	Sealing	Classification
$300 \times 200 \text{ mm} \leq VT60 \leq 800 \times 800 \text{ mm}$	Flexible wall	Metal studs gypsum plasterboard Type A (EN 520) $\geq 100 \text{ mm}$	EI 60
$300 \times 200 \text{ mm} \leq VT60 \leq 800 \times 800 \text{ mm}$	Flexible wall	Metal studs gypsum plasterboard Type A (EN 520) $\geq 100 \text{ mm}$	E 60

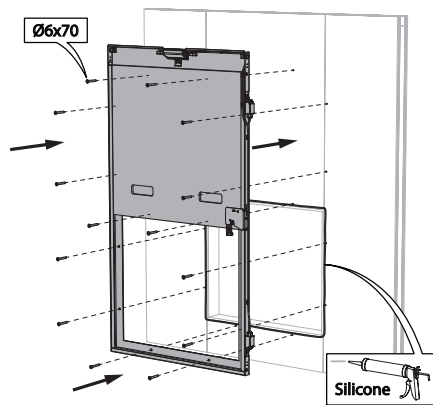
1



2

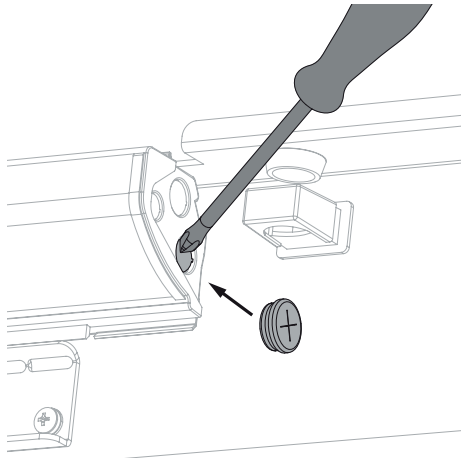


3



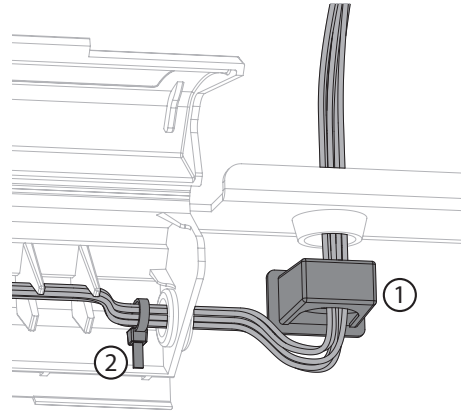
## Electrical connection (only when the shutter is equipped with limit switches)

1



1. Pierce an opening in the connection box. Affix the grommet delivered with the product.

2

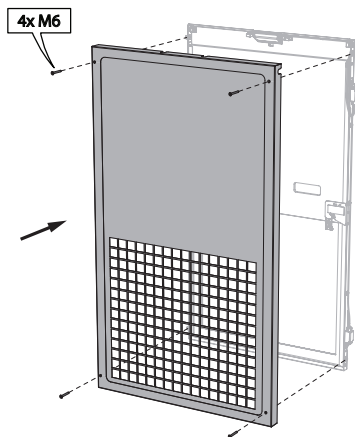


2. Lead the cables through the opening. Use the fixation clip (1) and the plastic cable clamp (2) to attach the cables in the connection box and connect according to the electrical connection diagram.

Comply with the installation rules according to article 6.1 of NF S 61-932.

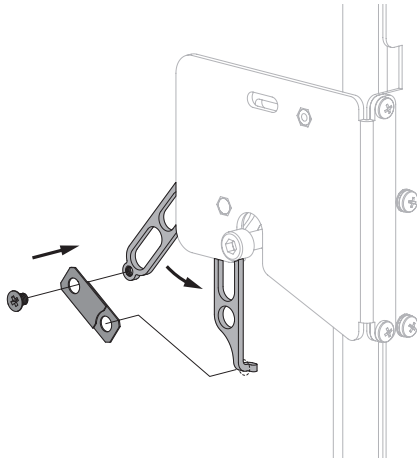
## Installation of the grill

1



## Replacement fusible link FUS72 VT60

---

**1**

1. Unscrew the mounting bolt. Remove the old fusible link. Attach the new fusible over the hook and secure it with the mounting bolt.

## Maintenance

---

- No specific maintenance required.
- Schedule at least 2 visual checks each year.
- Remove dust and all other particles before use.
- Follow local maintenance regulations (i.e. BS9999 Annex V; NF S 61-933) and EN13306.



## Weights

## VT60

Hn\Wn [mm]		300	350	400	450	500	550	600	650	700	750	800				
<b>200</b>	kg	5,6	6,3	7,0	7,6	8,3	9,0	9,7	10,3	11,0	11,7	12,4				
<b>250</b>	kg	6,5	7,3	8,1	8,8	9,6	10,4	11,2	12,0	12,7	13,5	14,3				
<b>300</b>	kg	7,4	8,3	9,2	10,1	10,9	11,8	12,7	13,6	14,5	15,4	16,3				
<b>350</b>	kg	7,4	8,3	9,2	10,1	10,9	11,8	12,7	13,6	14,5	15,4	16,3				
<b>400</b>	kg	9,2	10,3	11,4	12,5	13,6	14,7	15,8	16,9	18,0	19,1	20,2				
<b>450</b>	kg	10,1	11,3	12,5	13,7	14,9	16,1	17,3	18,5	19,7	20,9	22,1				
<b>500</b>	kg	10,9	12,3	13,6	14,9	16,2	17,5	18,8	20,1	21,4	22,7	24,1				
<b>550</b>	kg	11,8	13,2	14,7	16,1	17,5	18,9	20,3	21,7	23,2	24,6	26,0				
<b>600</b>	kg	12,7	14,2	15,8	17,3	18,8	20,3	21,9	23,4	24,9	26,4	27,9				
<b>650</b>	kg	13,6	15,2	16,9	18,5	20,1	21,7	23,4	25,0	26,6	28,3	29,9				
<b>700</b>	kg	14,5	16,2	18,0	19,7	21,4	23,2	24,9	26,6	28,4	30,1	31,8				
<b>750</b>	kg	15,2	17,1	19,0	20,8	22,7	24,6	26,4	28,3	30,2	32,0	33,8				
<b>800</b>	kg	16,1	18,1	20,1	22,0	24,0	26,0	28,0	30,0	31,9	33,8	35,8				

## E-VT60

Hn\Wn [mm]		300	350	400	450	500	550	600	650	700	750	800				
<b>200</b>	kg	9,5	10,2	10,8	11,5	12,1	12,7	13,4	14,0	14,7	15,3	15,9				
<b>250</b>	kg	10,5	11,2	11,8	12,5	13,2	13,9	14,6	15,3	15,9	16,6	17,3				
<b>300</b>	kg	11,4	12,1	12,8	13,6	14,3	15,0	15,8	16,5	17,2	17,9	18,7				
<b>350</b>	kg	12,3	13,1	13,9	14,6	15,4	16,2	16,9	17,7	18,5	19,3	20,0				
<b>400</b>	kg	13,2	14,0	14,9	15,7	16,5	17,3	18,1	18,9	19,8	20,6	21,4				
<b>450</b>	kg	14,2	15,0	15,9	16,7	17,6	18,5	19,3	20,2	21,0	21,9	22,7				
<b>500</b>	kg	15,1	16,0	16,9	17,8	18,7	19,6	20,5	21,4	22,3	23,2	24,1				
<b>550</b>	kg	16,0	17,0	17,9	18,8	19,8	20,7	21,7	22,6	23,6	24,5	25,5				
<b>600</b>	kg	16,9	17,9	18,9	19,9	20,9	21,9	22,9	23,9	24,8	25,8	26,8				
<b>650</b>	kg	17,8	18,9	19,9	20,9	22,0	23,0	24,0	25,1	26,1	27,1	28,2				
<b>700</b>	kg	18,8	19,8	20,9	22,0	23,1	24,2	25,2	26,3	27,4	28,5	29,5				
<b>750</b>	kg	19,7	20,8	21,9	23,1	24,2	25,3	26,4	27,5	28,7	29,8	30,9				
<b>800</b>	kg	20,6	21,8	22,9	24,1	25,3	26,4	27,6	28,8	29,9	31,1	30,6				

## G-VT60

Hn\Wn [mm]		300	350	400	450	500	550	600	650	700	750	800				
<b>200</b>	kg	2,7	2,9	3,1	3,3	3,5	3,7	3,9	4,1	4,3	4,5	4,7				
<b>250</b>	kg	3,0	3,2	3,4	3,7	3,9	4,1	4,3	4,5	4,7	5,0	5,2				
<b>300</b>	kg	3,3	3,5	3,8	4,0	4,2	4,5	4,7	4,9	5,2	5,4	5,6				
<b>350</b>	kg	3,6	3,8	4,1	4,3	4,6	4,8	5,1	5,3	5,6	5,9	6,1				
<b>400</b>	kg	3,9	4,1	4,4	4,7	4,9	5,2	5,5	5,8	6,0	6,3	6,6				
<b>450</b>	kg	4,1	4,4	4,7	5,0	5,3	5,6	5,9	6,2	6,5	6,8	7,0				
<b>500</b>	kg	4,4	4,7	5,0	5,4	5,7	6,0	6,3	6,6	6,9	7,2	7,5				
<b>550</b>	kg	4,7	5,0	5,4	5,7	6,0	6,3	6,7	7,0	7,3	7,6	8,0				
<b>600</b>	kg	5,0	5,3	5,7	6,0	6,4	6,7	7,1	7,4	7,8	8,1	8,4				
<b>650</b>	kg	5,3	5,6	6,0	6,4	6,7	7,1	7,5	7,8	8,2	8,5	8,9				
<b>700</b>	kg	5,6	5,9	6,3	6,7	7,1	7,5	7,9	8,2	8,6	9,0	9,4				
<b>750</b>	kg	6,0	6,3	6,7	7,1	7,5	7,9	8,3	8,6	9,0	9,4	9,8				
<b>800</b>	kg	6,4	6,8	7,1	7,5	7,9	8,3	8,7	9,1	9,4	9,8	10,2				

## Selection data

### VT60

Hn\Wn [mm]		300	350	400	450	500	550	600	650	700	750	800
<b>200</b>	Sn [m <sup>2</sup> ]	0,0600	0,0700	0,0800	0,0900	0,1000	0,1100	0,1200	0,1300	0,1400	0,1500	0,1600
<b>250</b>	Sn [m <sup>2</sup> ]	0,0750	0,0875	0,1000	0,1125	0,1250	0,1375	0,1500	0,1625	0,1750	0,1875	0,2000
<b>300</b>	Sn [m <sup>2</sup> ]	0,0900	0,1050	0,1200	0,1350	0,1500	0,1650	0,1800	0,1950	0,2100	0,2250	0,2400
<b>350</b>	Sn [m <sup>2</sup> ]	0,1050	0,1225	0,1400	0,1575	0,1750	0,1925	0,2100	0,2275	0,2450	0,2625	0,2800
<b>400</b>	Sn [m <sup>2</sup> ]	0,1200	0,1400	0,1600	0,1800	0,2000	0,2200	0,2400	0,2600	0,2800	0,3000	0,3200
<b>450</b>	Sn [m <sup>2</sup> ]	0,1350	0,1575	0,1800	0,2025	0,2250	0,2475	0,2700	0,2925	0,3150	0,3375	0,3600
<b>500</b>	Sn [m <sup>2</sup> ]	0,1500	0,1750	0,2000	0,2250	0,2500	0,2750	0,3000	0,3250	0,3500	0,3750	0,4000
<b>550</b>	Sn [m <sup>2</sup> ]	0,1650	0,1925	0,2200	0,2475	0,2750	0,3025	0,3300	0,3575	0,3850	0,4125	0,4400
<b>600</b>	Sn [m <sup>2</sup> ]	0,1800	0,2100	0,2400	0,2700	0,3000	0,3300	0,3600	0,3900	0,4200	0,4500	0,4800
<b>650</b>	Sn [m <sup>2</sup> ]	0,1950	0,2275	0,2600	0,2925	0,3250	0,3575	0,3900	0,4225	0,4550	0,4875	0,5200
<b>700</b>	Sn [m <sup>2</sup> ]	0,2100	0,2450	0,2800	0,3150	0,3500	0,3850	0,4200	0,4550	0,4900	0,5250	0,5600
<b>750</b>	Sn [m <sup>2</sup> ]	0,2250	0,2625	0,3000	0,3375	0,3750	0,4125	0,4500	0,4875	0,5250	0,5625	0,6000
<b>800</b>	Sn [m <sup>2</sup> ]	0,2400	0,2800	0,3200	0,3600	0,4000	0,4400	0,4800	0,5200	0,5600	0,6000	0,6400

## Approvals and certificates

All our products are submitted to a number of tests by official test institutes. Reports of these tests form the basis for the approvals of the products.



NF 537  
CLAPETS RÉSISTANT AU FEU  
VOLETS RÉSISTANT AU FEU  
[www.marque-nf.com](http://www.marque-nf.com)

18.30

The NF-label guarantees: conformity with the standard NF S 61-937 Parts 1 and 11: "Systèmes de Sécurité Incendie Dispositifs Actionnés de Sécurité"; conformity with the national decree of March 22, 2004, changed on 14 March 2011 for the classification of fire resistance; the values of the characteristics mentioned in this document. Organisme Certificateur: AFNOR Certification, 11 Rue Francis de Pressensé, F93571 La Plaine Saint-Denis Cedex; Website: <http://www.afnor.org> <http://www.marque-nf.com>; Phone: +33 (0)1.41.62.80.00, Fax: +33 (0)1.49.17.90.00, Email: [certification@afnor.org](mailto:certification@afnor.org)