

KAMOUFLAGE AP

a V_{edw}-classified, motorized, aesthetic smoke control shutter



Table of content

Declaration of performance	3
Product presentation	4
Range and dimensions	5
Options - at the time of order	5
Storage and handling	6
Installation	6
Operation: manual opening	7
Operation: manual closing	7
Electrical wiring	8
Installation in a duct	9
Installation in a shaft	10
Installation into vertical concrete shaft without mounting frame	11
Installation into vertical duct (without a mounting frame): general instructions for all types of shafts (other than concrete)	12
Product maintenance	13
Operation and mechanisms	14
Electrical connection	15
Weights	16
Selection data	17
Sample order	19
Approvals and certificates	19

Explanation of the abbreviations and pictograms

Wn = nominal width	ved = vertical duct	OP = option (delivered with the product)
Hn = nominal height	hod = horizontal duct	KIT = kit (delivered separately for repair or upgrade)
Sn = free air passage	vew = vertical wall penetration	PG = connection flange to the duct
SI = free surface	V = volt	GKB (type A) / GKF (type F): "GKB" stands for standard plasterboards (type A according to EN 520) while "GKF" plasterboards offer a higher fire resistance for a similar plate thickness (type F according to EN 520)
E = integrity	W = watt	Cal-Sil = calcium silicate
I = thermal insulation	V AC = Volt alternating current	ζ [-] = pressure loss coefficient
S = smoke leakage	V DC = Volt direct current	Q = airflow
60/120 = fire resistance time	E.TELE = power supply magnet	ΔP = static pressure drop
Pa = pascal	E.ALIM = power supply motor	v = air speed in the duct
o -> i = meets the criteria from the outside (o) to the inside (i)	Auto = automatic	Lwa = A-weighted sound power level
i <> o = fire side not important	Tele = remote controlled	ME = motorised
AA = automatic activation	Pnom = nominal capacity	H = habitat
MA = manual activation	Pmax = maximum capacity	
multi = multi compartment	DAS MOD = modular product	

DECLARATION OF PERFORMANCE

UKCA_DoP_Rf-t_V36_EN - A-01/03/2024

1. Unique identification code of the product-type:	KAMOULAGE AP
2. Intended use/es:	Smoke control damper to be used in smoke control systems, in multi-compartment applications at fire temperatures, or in single-compartment applications.
3. Manufacturer:	Rf-Technologies NV, Lange Ambachtstraat 40, B-9860 Oosterzele
4. System/s of AVCP:	System 1
5. Designated standard / Approved body, certificate of constancy of performance:	BS EN 12101-8:2011, Efectis UK/Ireland Ltd 2822; pending application
6. Declared performance according to BS EN 12101-8:2011	(Fire resistance according to BS EN 1366-10, classification according to BS EN 13501-4)



Essential characteristics		Performance Classification	
Range	Product	Type	Material
350x385 mm ≤ Kamouflage 1V AP ≤ 700x1165 mm	Kamouflage 60 AP	Duct	Promatect L500 ≥ 30 mm Geoflam ≥ 30 mm Geotec ≥ 30 mm Techniver ≥ 35 mm Glasroc F V500 ≥ 35 mm Exthamat ≥ 30 mm
		Shaft	Masonry, concrete blocks, concrete ≥ 100 mm
		Duct	Promatect L500 ≥ 30 mm Geoflam ≥ 35 mm Techniver ≥ 45 mm Exthamat ≥ 30 mm
	Kamouflage 120 AP	Shaft	Masonry, concrete blocks, concrete ≥ 100 mm
	Kamouflage 120 AP	Duct	Promatect L500 ≥ 30 mm Geoflam ≥ 45 mm Geoflam Light ≥ 35 mm Geotec ≥ 45 mm Techniver ≥ 50 mm Glasroc F V500 ≥ 50 mm Exthamat ≥ 35 mm
	Kamouflage 120 AP	Shaft	Masonry, concrete blocks, concrete ≥ 100 mm

Designated standard
BS EN 12101-8:2011

1 Type of installation: in duct/shaft-mounted 0/180°.



Nominal activation conditions/sensitivity:	Integrity (E)
Pass - automatic activation	60, 90 and 120 minutes
Pass - automatic activation	60, 90 and 120 minutes
Operational reliability (response time): closure time	Smoke leakage (EIS)
Operational reliability: cycling	Mechanical stability (under E)
Durability of response delay:	Maintenance of cross section (under E)
Durability of operational reliability:	Pass
Approved accessories	Pass
High operational temperature (HOT 400/300):	

The performance of the product, identified above is in conformity with the set of declared performance/s. This declaration of performance is issued, in accordance with Regulation (EU) No 305/2011, under the sole responsibility of the manufacturer identified above.

Signed for and on behalf of the manufacturer by:

Duchan Laplace, R&D Manager

Oosterzele, 01/03/2024



Product presentation KAMOUFLAGE AP

Product presentation KAMOUFLAGE AP

The Kamouflage AP is a v_{edw} -classified, motorized, aesthetic smoke control shutter that can be perfectly integrated in smoke control systems. It is CE-certified in accordance with EN12101-8, suitable for vertical mounting in ducts or concrete shafts. Offering 60, 90 or 120 minute fire resistance at minimum pressure drop, in single- or multi-compartment applications. In addition, Kamouflage AP has a C_{10000} cycling classification, which means it can be used in combined smoke control and environmental, energy saving systems.

It opens to supply and release air or to evacuate smoke in emergency situations whilst maintaining its fire resistant integrity in both directions in standby position.

The Kamouflage AP is designed for use in:

- Pressure Differential Systems (PDS): e.g. pressurising staircases.
- Smoke and Heat Exhaust Ventilation Systems (SHEVS): ventilating protected lobbies and corridors through shafts, either naturally or mechanically, or a combination of both.
- Energy saving systems combined with PDS or SHEVS: e.g. night cooling systems.

Smoke control shutters and dampers are suitable for use in ventilating protected lobbies, venting to shafts either naturally or mechanically. They open to evacuate smoke in emergency situations whilst maintaining fire resistant integrity in both directions in standby position.

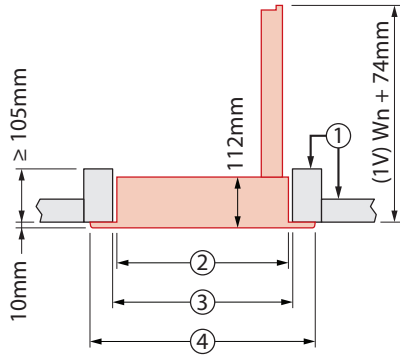
- ✓ can be used in smoke management systems requiring a v_{ed} , v_{ew} or v_{edw} -classification
- ✓ optimal smoke control system thanks to high free area and minimal pressure losses
- ✓ easy to install thanks to its light weight
- ✓ aesthetic solution that can be integrated in any interior design
- ✓ simple operating tests through remote opening and resetting by an actuator
- ✓ opens 90° and at intermediate positions when installed in shallow ducts/shafts
- ✓ excellent thermal and acoustic insulation thanks to a double-walled insulated door leaf and seals

- tested according to EN 1366-10 and EN 1366-2
- compliant with EN 12101-8
- compliant with MVV TB 2023/1 Anhang 14, 7
- fit for use as air release and air supply vent in PDS-systems according to EN 12101-6 & -13
- suited as air supply and smoke evacuation vent in SHEVS-systems according to EN 12101-8
- light weight: ≤ 35 kg
- ready-to-install finish (white lacquered RAL 9010)
- approved for installation in calcium-silicate ducts, Geostaff gypsum, Tecniver, Glasroc, Extha and concrete shafts.
- maintenance-free
- large range

1. 1 shutter
2. aluminium frame
3. lock + key
4. connection compartment
5. actuating arm
6. resetting motor
7. product identification



Range and dimensions KAMOUFLAGE AP



1. Refractory material
2. Nominal dimensions shutter $W_n \times H_n$
3. Built-in dimensions $(W_n+10) \times (H_n+10)$ mm
4. Overall (outside) dimensions of the shutter $(W_n+52) \times (H_n+52)$ mm

	IV	IA
(W x H) mm	350x385	700x1165

Options - at the time of order



BLACK

Black finish (for use with a grill only)



TL

Trailing lead 3 m for external connection

Storage and handling

As this product is a safety element, it should be stored and handled with care.

Avoid:

- any kind of impact or damage
- contact with water
- deformation of the casing

It is recommended:

- to unload in a dry area
- not to flip or roll the product to move it
- not to use the damper as a scaffold, working table, etc.
- not to store smaller dampers inside larger ones

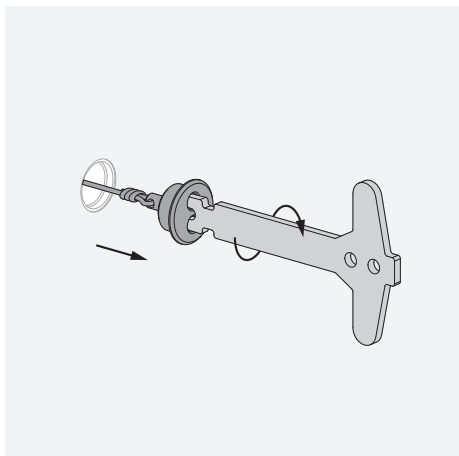
Installation

General points

- The installation must comply with the installation manual and the classification report.
- The installation of the smoke control duct must comply with the classification report delivered by the manufacturer.
- Axis orientation: see the declaration of performance.
- Avoid the obstruction of adjoining smoke control ducts.
- Verify if the blade can move freely.
- Rf-t smoke dampers may be applied to smoke control ducts that have been tested according to EN 1366-8 and EN 1366-9 as appropriate, constructed from similar materials with a fire resistance, thickness and density equal or superior to these of the tested materials.
 - ⚠ Caution: when fitting, the product should be handled with care and remain protected from any sealing products.
 - ⚠ Caution: before putting the installation into operation, clean off all the dust and dirt.
 - ⚠ Caution: bear in mind the blade's clearance inside the smoke control duct.

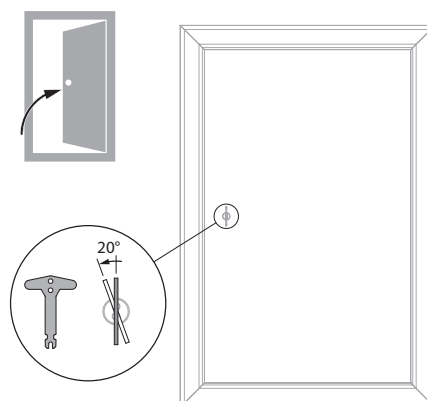
Operation: manual opening

1



1. Unscrew the finishing cap from the opening in the door. Use the key to do this.

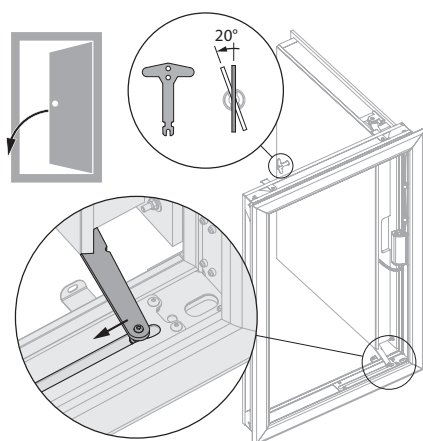
2



2. Turn the key 20° anti-clockwise and push the shutter into its open position.

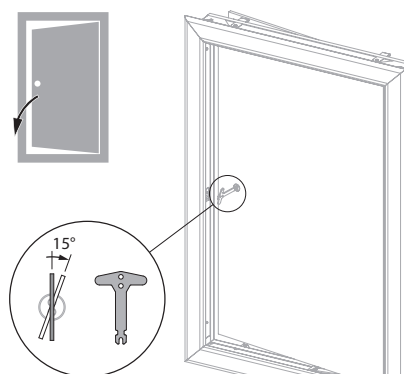
Operation: manual closing

1



1. Turn the key 20° anti-clockwise. Push the actuating arm in the direction of the arrow and pull the shutter into its closed position.

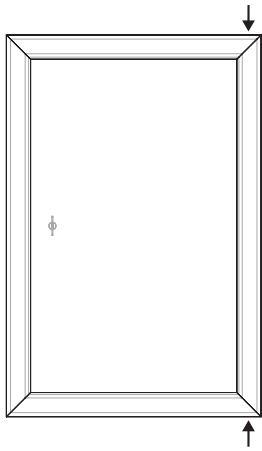
2



2. Turn the key 15° clockwise. The key blocks in the lock and the door can be pulled into its lock.

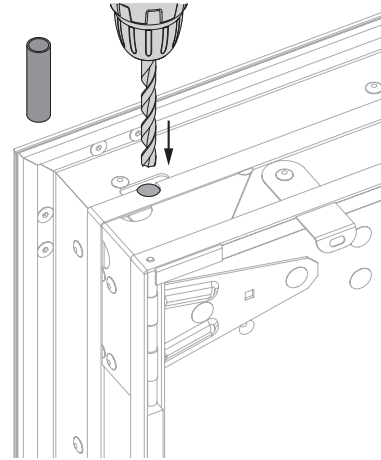
Electrical wiring

1



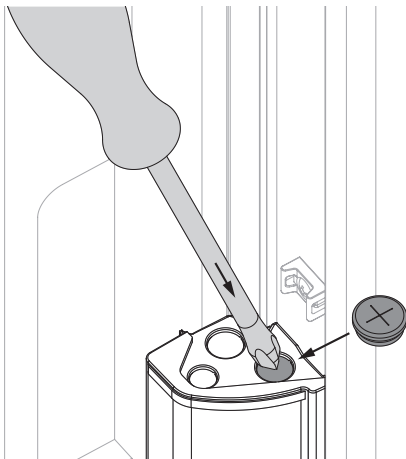
1. The electrical connection is possible via the 2 corners at the side of the hinges.

2



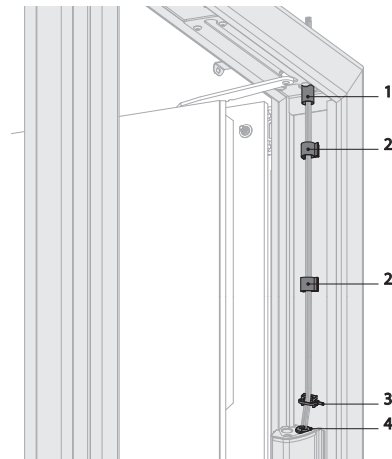
2. Drill a hole in the refractory material at the chosen corner(s). The galvanised part at the inside of the shutter is already indented.

3



3. Pierce an opening in the connection box. Affix the grommet delivered with the product.

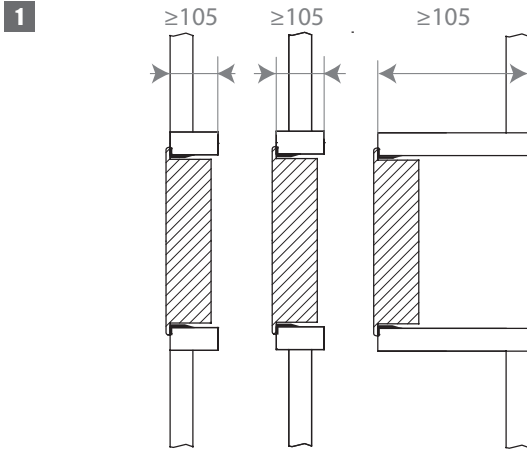
4



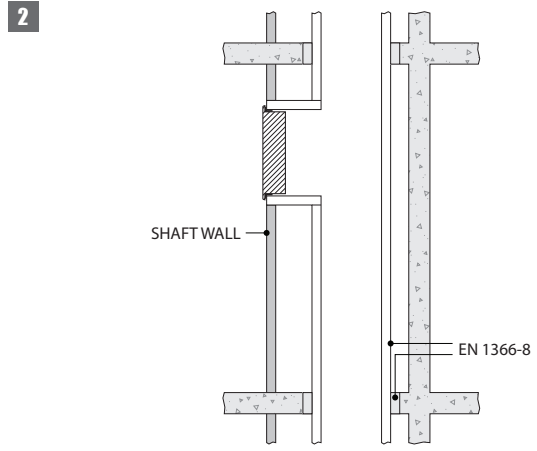
4. Lead the cables through the opening. Use the protective sleeve (1), the fixation clips (2) and the plastic cable clamp (3) to attach the cables to the frame. Lead the cables to the connection box through the grommet (4) and connect according to the electrical connection diagram.

⚠ Caution: after passing and fixing the cables, you need to seal the drilled hole in the refractory plates around the electrical cables with fire resistant adhesive sealant (BCM f.e.).

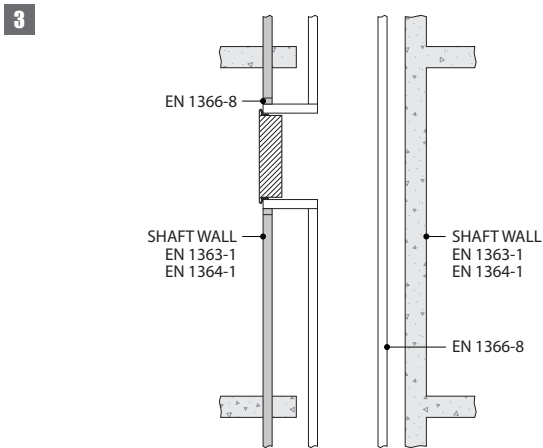
Installation in a duct



1. The shutter is fixed in the opening. It can be placed either in the duct, in the duct axis, outside the duct or duct extension or in surface-mounted.

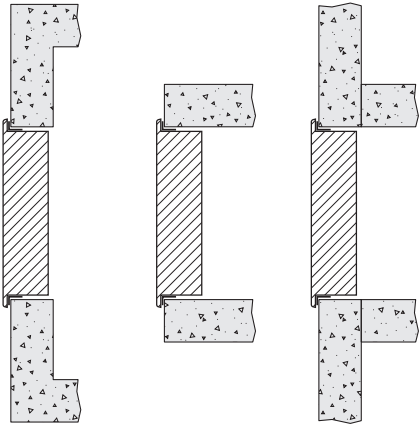


2. Example of installation in a shaft



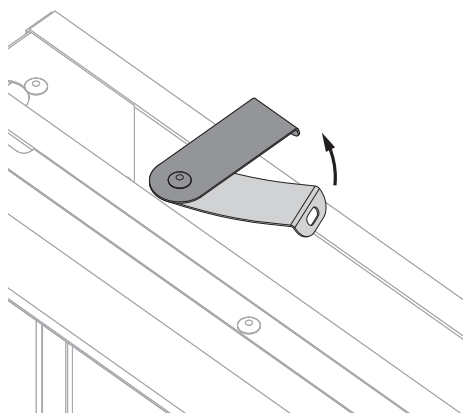
3. Example of installation in a shaft

Installation in a shaft

1

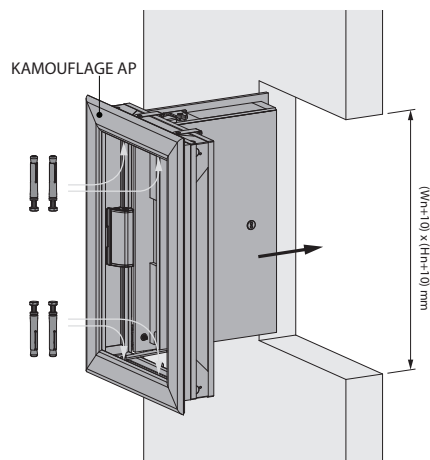
Installation into vertical concrete shaft without mounting frame

1



1. Rotate the four fastening plates on the damper 90° (to the upright position).
The fastening plates are not used for an installation without a mounting frame.

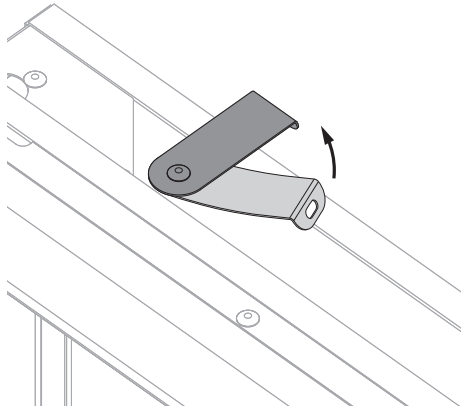
2



2. Make an opening with dimensions $(W+10) \times (H+10)$ mm.
Fix the shutter in the opening using 4 screws and dowels $\varnothing 6 \times 40$ mm.
Connect the mechanism according to the wiring diagram.
Check the mobility of the shutter.

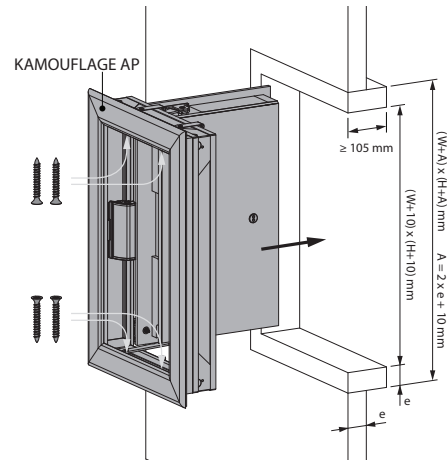
Installation into vertical duct (without a mounting frame): general instructions for all types of shafts (other than concrete)

1



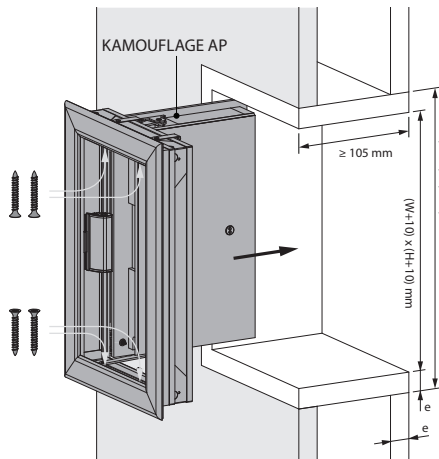
1. Rotate the four fastening plates on the damper 90° (to the upright position).
The fastening plates are not used for an installation without a mounting frame.

2



2. Make an opening with dimensions $(W+A) \times (H+A)$ mm.
 $A = 2 \times$ thickness sleeve $(e) + 10$ mm.
Fit a sleeve of the same type of material and thickness as the duct (thickness e) of minimum 105 mm deep in the opening.
Place the shutter in the opening.
Ensure the cables are not trapped at this stage.
Fix the shutter in the opening using 4 screws $\varnothing 6 \times 40$ mm.
Caution: make sure that the screws don't exceed the sleeve's thickness!
Connect the mechanism according to the wiring diagram.
Check the mobility of the shutter.

3



Product maintenance

Smoke control dampers must form part of a professionally designed Smoke and Heat Exhaust Ventilation System (SHEVS) that will be specially suited to an individual buildings size, usage and structure. SHEVS are Fire Safety Installations and it is essential they are subject to the routine inspection and maintenance requirements of the country of installation of the SHEV system. For example, BS7346 part 8, NF S 61-933 and EN 13306. Kamouflage AP dampers are virtually maintenance free, however, they will require occasional operation and maintenance as part of a system specific routine operational test and maintenance procedure. It is recommended that as part of the system testing and maintenance procedure that different individual dampers are operated at each system test such that each damper within a system is inspected, checked and tested at least once in any 6-month period. The following instructions are a general guide and our recommendations to the procedures required: a) Operate each ventilator at least once; checking that the unit opens and closes fully. b) Visually observe the control mechanisms ensuring the devices are in place and are not obviously damaged or obstructed. c) Inspect each ventilator in its open position to check that the intumescent fire seals and smoke seals between the vent frame and doors are not damaged and are securely attached. Wipe any dirt build up from the seals. Inspect the door leading and trailing edge seals and lightly lubricate with a machine oil and a silicone grease to the release latch.

Maintenance

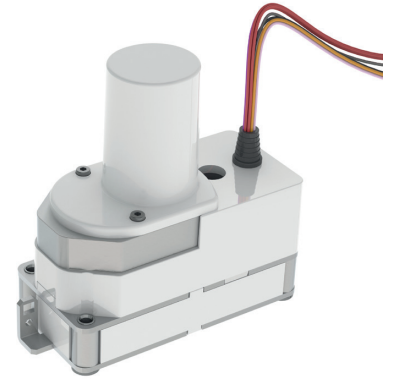
- No specific maintenance required.
- Schedule at least 2 visual checks each year.
- Remove dust and all other particles before use.
- Follow local maintenance regulations (i.e. BS9999 Annex V; NF S 61-933) and EN13306.

Operation and mechanisms



VA AP MEC Mechanism for remote controlled unlocking and resetting.

Mechanism for the smoke control shutters KAMOUFLAGE AP. Remote controlled unlocking and resetting.



Unlocking

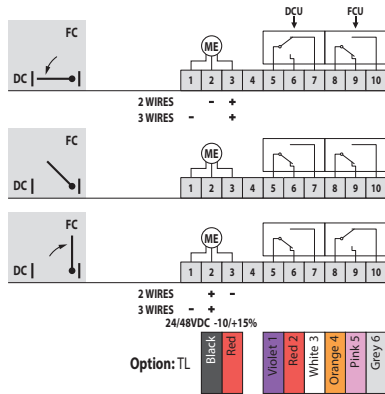
- **manual unlocking:** with the key (delivered in the bag together with the installation guidelines)
- **automatic unlocking:** n/a
- **remote unlocking:** remote by connection of 24 V DC or 48 V DC

Resetting

- **manual resetting:** turn the key 20° anti-clockwise. Push the actuating arm in the direction of the arrow and pull the shutter into its closed position. Turn the key 15° clockwise. The key blocks in the lock and the door can be pulled into its lock.
- **motorised resetting:** remote controlled by reversing (2-wire) control or alternating (3-wire) control of the voltage to the motor. After the unlocking or rearmament is complete, the voltage on the motor may be stopped.

Electrical connection

VA AP MEC



DC : Switch closed position smoke evacuation shutter
 FC : Switch open position smoke evacuation shutter

MEC	Nominal voltage motor	Nominal voltage magnet	Power consumption (stand-by)	Power consumption (operating)	Standard switches	Resetting time motor
VA AP MEC	24/48 V DC (-10/+15%)	N/A	N/A	P _{nom} = 4W	1mA...1A 60V	< 60 s

MEC	Running time spring	Noise level motor	Noise level spring	Cable supply / control	Cable auxiliary switch	Protection class
VA AP MEC	-	-	-	-	-	IP 42

Weights

KAMOUFLAGE AP

Hn\Wn (mm)		350	400	450	500	550	600	650	700						
385	kg	12,5	13,7	14,9	16,2	17,4	18,6	19,9	21,1						
415	kg	13,0	14,2	15,4	16,7	17,9	19,1	20,3	21,6						
445	kg	13,5	14,7	16,0	17,2	18,4	19,7	20,9	22,1						
475	kg	14,0	15,3	16,5	17,7	19,0	20,2	21,5	22,7						
505	kg	14,5	15,7	17,0	18,2	19,5	20,7	21,9	23,2						
535	kg	15,0	16,3	17,5	18,8	20,0	21,2	22,5	23,7						
565	kg	15,5	16,8	18,0	19,3	20,5	21,8	23,0	24,3						
595	kg	16,0	17,3	18,5	19,8	21,0	22,3	23,5	24,8						
625	kg	16,6	17,8	19,1	20,3	21,6	22,8	24,1	25,3						
655	kg	17,1	18,3	19,6	20,9	22,1	23,4	24,6	25,9						
685	kg	17,6	18,8	20,1	21,3	22,6	23,9	25,1	26,4						
715	kg	18,1	19,4	20,6	21,9	23,1	24,4	25,7	26,9						
745	kg	18,6	19,9	21,2	22,4	23,7	25,0	26,2	27,5						
775	kg	19,1	20,4	21,6	22,9	24,2	25,4	26,7	28,0						
805	kg	19,6	20,9	22,2	23,4	24,7	26,0	27,3	28,5						
835	kg	20,1	21,4	22,7	24,0	25,3	26,5	27,8	29,1						
865	kg	20,6	21,9	23,2	24,5	25,8	27,0	28,3	29,6						
895	kg	21,2	22,4	23,7	25,0	26,3	27,6	28,9	30,1						
925	kg	21,7	23,0	24,3	25,5	26,8	28,1	29,4	30,7						
955	kg	22,2	23,5	24,7	26,0	27,3	28,6	29,9	31,2						
985	kg	22,7	24,0	25,3	26,6	27,9	29,2	30,5	31,8						
1015	kg	23,2	24,5	25,8	27,1	28,4	29,7	31,0	32,3						
1045	kg	23,7	25,0	26,3	27,6	28,9	30,2	31,5	32,8						
1075	kg	24,2	25,5	26,8	28,1	29,4	30,7	32,0	33,4						
1105	kg	24,7	26,1	27,4	28,7	30,0	31,3	32,6	33,9						
1135	kg	25,2	26,5	27,8	29,2	30,5	31,8	33,1	34,4						
1165	kg	25,8	27,1	28,4	29,7	31,0	32,3	33,6	35,0						

Selection data

KAMOUFLAGE AP

$$\Delta p = 0,6 * v^2 * \zeta$$

KAMOUFLAGE AP 1V60/1V120 - Pressure drop coefficient in supply

Hn\Wn (mm)		350	400	450	500	550	600	650	700						
385	ζ [-]	3,58	3,24	2,98	2,78	2,62	2,49	2,38	2,29						
415	ζ [-]	3,40	3,06	2,81	2,62	2,46	2,33	2,23	2,13						
445	ζ [-]	3,24	2,92	2,67	2,48	2,32	2,20	2,09	2,00						
475	ζ [-]	3,11	2,79	2,55	2,36	2,20	2,08	1,98	1,89						
505	ζ [-]	3,00	2,68	2,44	2,25	2,10	1,98	1,88	1,79						
535	ζ [-]	2,90	2,58	2,34	2,16	2,01	1,89	1,79	1,71						
565	ζ [-]	2,81	2,50	2,26	2,08	1,93	1,81	1,71	1,63						
595	ζ [-]	2,73	2,42	2,19	2,01	1,86	1,74	1,65	1,56						
625	ζ [-]	2,66	2,35	2,12	1,94	1,80	1,68	1,59	1,50						
655	ζ [-]	2,60	2,29	2,06	1,88	1,74	1,63	1,53	1,45						
685	ζ [-]	2,54	2,23	2,01	1,83	1,69	1,58	1,48	1,40						
715	ζ [-]	2,48	2,18	1,96	1,78	1,64	1,53	1,44	1,36						
745	ζ [-]	2,44	2,14	1,91	1,74	1,60	1,49	1,40	1,32						
775	ζ [-]	2,39	2,10	1,87	1,70	1,56	1,45	1,36	1,28						
805	ζ [-]	2,35	2,06	1,84	1,66	1,53	1,42	1,33	1,25						
835	ζ [-]	2,31	2,02	1,80	1,63	1,49	1,38	1,29	1,22						
865	ζ [-]	2,28	1,99	1,77	1,60	1,46	1,36	1,26	1,19						
895	ζ [-]	2,25	1,96	1,74	1,57	1,44	1,33	1,24	1,16						
925	ζ [-]	2,22	1,93	1,71	1,54	1,41	1,30	1,21	1,14						
955	ζ [-]	2,19	1,90	1,68	1,52	1,39	1,28	1,19	1,11						
985	ζ [-]	2,16	1,88	1,66	1,49	1,36	1,26	1,17	1,09						
1015	ζ [-]	2,14	1,85	1,64	1,47	1,34	1,23	1,15	1,07						
1045	ζ [-]	2,11	1,83	1,62	1,45	1,32	1,22	1,13	1,05						
1075	ζ [-]	2,09	1,81	1,60	1,43	1,30	1,20	1,11	1,04						
1105	ζ [-]	2,07	1,79	1,58	1,41	1,28	1,18	1,09	1,02						
1135	ζ [-]	2,05	1,77	1,56	1,40	1,27	1,16	1,08	1,00						
1165	ζ [-]	2,03	1,75	1,54	1,38	1,25	1,15	1,06	0,99						

KAMOUFLAGE AP 1V60/1V120 - Pressure drop coefficient in discharge

Hn\Wn (mm)		350	400	450	500	550	600	650	700						
385	ζ [-]	2,85	2,57	2,36	2,19	2,05	1,93	1,83	1,74						
415	ζ [-]	2,71	2,43	2,21	2,04	1,90	1,78	1,68	1,59						
445	ζ [-]	2,58	2,30	2,09	1,91	1,77	1,65	1,55	1,47						
475	ζ [-]	2,47	2,19	1,98	1,80	1,66	1,54	1,44	1,35						
505	ζ [-]	2,37	2,10	1,88	1,70	1,56	1,44	1,34	1,25						
535	ζ [-]	2,29	2,01	1,79	1,62	1,47	1,35	1,25	1,17						
565	ζ [-]	2,21	1,93	1,71	1,54	1,40	1,28	1,18	1,09						
595	ζ [-]	2,14	1,86	1,64	1,47	1,33	1,21	1,10	1,02						
625	ζ [-]	2,08	1,80	1,58	1,41	1,26	1,14	1,04	0,95						
655	ζ [-]	2,02	1,74	1,52	1,35	1,20	1,08	0,98	0,89						

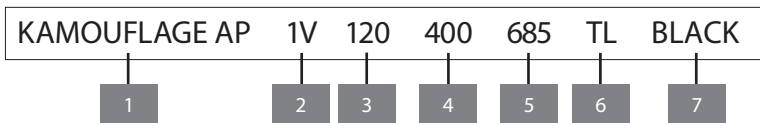
Hn\Wn [mm]		350	400	450	500	550	600	650	700						
685	ζ [-]	1,97	1,69	1,47	1,29	1,15	1,03	0,93	0,84						
715	ζ [-]	1,92	1,64	1,42	1,25	1,10	0,98	0,88	0,79						
745	ζ [-]	1,88	1,60	1,38	1,20	1,06	0,94	0,83	0,75						
775	ζ [-]	1,84	1,56	1,34	1,16	1,02	0,90	0,79	0,71						
805	ζ [-]	1,80	1,52	1,30	1,12	0,98	0,86	0,75	0,67						
835	ζ [-]	1,76	1,48	1,26	1,09	0,94	0,82	0,72	0,63						
865	ζ [-]	1,73	1,45	1,23	1,05	0,91	0,79	0,69	0,60						
895	ζ [-]	1,70	1,42	1,20	1,02	0,88	0,76	0,65	0,57						
925	ζ [-]	1,67	1,39	1,17	0,99	0,85	0,73	0,63	0,54						
955	ζ [-]	1,65	1,36	1,14	0,97	0,82	0,70	0,60	0,51						
985	ζ [-]	1,62	1,34	1,12	0,94	0,80	0,68	0,57	0,48						
1015	ζ [-]	1,60	1,31	1,09	0,92	0,77	0,65	0,55	0,46						
1045	ζ [-]	1,57	1,29	1,07	0,90	0,75	0,63	0,53	0,44						
1075	ζ [-]	1,55	1,27	1,05	0,87	0,73	0,61	0,50	0,42						
1105	ζ [-]	1,53	1,25	1,03	0,85	0,71	0,59	0,48	0,40						
1135	ζ [-]	1,51	1,23	1,01	0,84	0,69	0,57	0,46	0,38						
1165	ζ [-]	1,50	1,21	0,99	0,82	0,67	0,55	0,45	0,36						

Pressure drop due to inflow: +1.60

KAMOUFFLAGE AP

Hn\Wn [mm]		350	400	450	500	550	600	650	700						
385	Sn [m ²]	0,1100	0,1270	0,1440	0,1620	0,1790	0,1970	0,2140	0,2320						
415	Sn [m ²]	0,1190	0,1380	0,1570	0,1760	0,1950	0,2140	0,2330	0,2520						
445	Sn [m ²]	0,1280	0,1490	0,1690	0,1900	0,2100	0,2310	0,2510	0,2720						
475	Sn [m ²]	0,1380	0,1600	0,1820	0,2040	0,2260	0,2480	0,2700	0,2910						
505	Sn [m ²]	0,1470	0,1710	0,1940	0,2180	0,2410	0,2650	0,2880	0,3110						
535	Sn [m ²]	0,1570	0,1820	0,2070	0,2320	0,2560	0,2810	0,3060	0,3310						
565	Sn [m ²]	0,1660	0,1930	0,2190	0,2450	0,2720	0,2980	0,3250	0,3510						
595	Sn [m ²]	0,1760	0,2030	0,2310	0,2590	0,2870	0,3150	0,3430	0,3710						
625	Sn [m ²]	0,1850	0,2140	0,2440	0,2730	0,3030	0,3320	0,3620	0,3910						
655	Sn [m ²]	0,1940	0,2250	0,2560	0,2870	0,3180	0,3490	0,3800	0,4110						
685	Sn [m ²]	0,2040	0,2360	0,2690	0,3010	0,3340	0,3660	0,3980	0,4310						
715	Sn [m ²]	0,2130	0,2470	0,2810	0,3150	0,3490	0,3830	0,4170	0,4510						
745	Sn [m ²]	0,2230	0,2580	0,2940	0,3290	0,3640	0,4000	0,4350	0,4710						
775	Sn [m ²]	0,2320	0,2690	0,3060	0,3430	0,3800	0,4170	0,4540	0,4910						
805	Sn [m ²]	0,2410	0,2800	0,3180	0,3570	0,3950	0,4340	0,4720	0,5110						
835	Sn [m ²]	0,2510	0,2910	0,3310	0,3710	0,4110	0,4510	0,4910	0,5310						
865	Sn [m ²]	0,2600	0,3020	0,3430	0,3850	0,4260	0,4680	0,5090	0,5500						
895	Sn [m ²]	0,2700	0,3130	0,3560	0,3990	0,4420	0,4840	0,5270	0,5700						
925	Sn [m ²]	0,2790	0,3240	0,3680	0,4120	0,4570	0,5010	0,5460	0,5900						
955	Sn [m ²]	0,2890	0,3350	0,3800	0,4260	0,4720	0,5180	0,5640	0,6100						
985	Sn [m ²]	0,2980	0,3450	0,3930	0,4400	0,4880	0,5350	0,5830	0,6300						
1015	Sn [m ²]	0,3070	0,3560	0,4050	0,4540	0,5030	0,5520	0,6010	0,6500						
1045	Sn [m ²]	0,3170	0,3670	0,4180	0,4680	0,5190	0,5690	0,6200	0,6700						
1075	Sn [m ²]	0,3260	0,3780	0,4300	0,4820	0,5340	0,5860	0,6380	0,6900						
1105	Sn [m ²]	0,3360	0,3890	0,4430	0,4960	0,5490	0,6030	0,6560	0,7100						
1135	Sn [m ²]	0,3450	0,4000	0,4550	0,5100	0,5650	0,6200	0,6750	0,7300						
1165	Sn [m ²]	0,3550	0,4110	0,4670	0,5240	0,5800	0,6370	0,6930	0,7500						

Sample order



1. product
2. 1 shutter
3. fire resistance of 60 or 120 minutes
4. width
5. height
6. option: trailing lead 3 m
7. option: black finish

Approvals and certificates

All our products are submitted to a number of tests by official test institutes. Reports of these tests form the basis for the approvals of the products.



pending application



Efectis_1812_CPR_pending application

pending application